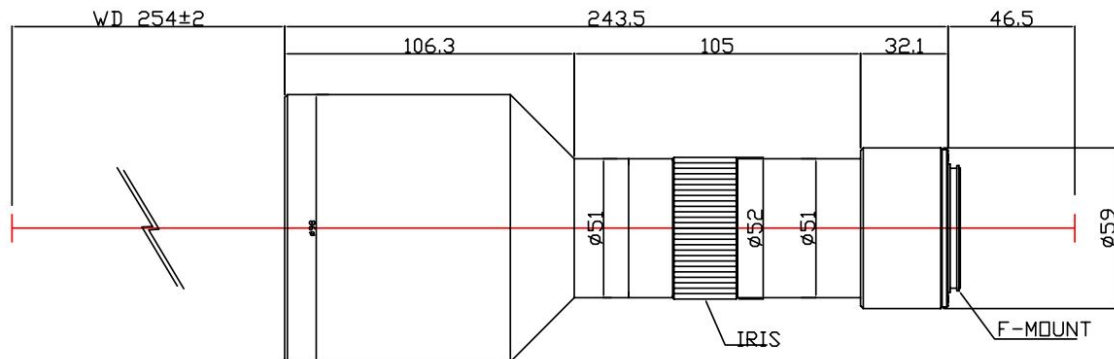


TF8MHR-058-254I



The Object Side Telecentric Lens TF8MHR-058-254I is suitable for sensors up to 8 megapixel and with an image format of 8M (23mm).

Technical Data

| | |
|---------------------------|--------------------------|
| Magnification | 0.58 X |
| Mount Type | F-Mount |
| Aperture (F) | 5 |
| Working Distance (WD) | 254 |
| Depth of Field (DOF) | 653.9 µm |
| Resolution (Object Side) | 5.8 µm |
| Numerical Aperture (NA) | 0.058 |
| Image Format (max.) | 8M (23mm) |
| Megapixel | 8 MP |
| Field of View (FOV) | 31.3mm X 23.4mm @ 8M CCD |
| Telecentric Type | Object Side |
| Telecentricity | 0.03 ° |
| Optical Distortion (max.) | 0.08 % |
| Special Feature | Super High Res |

