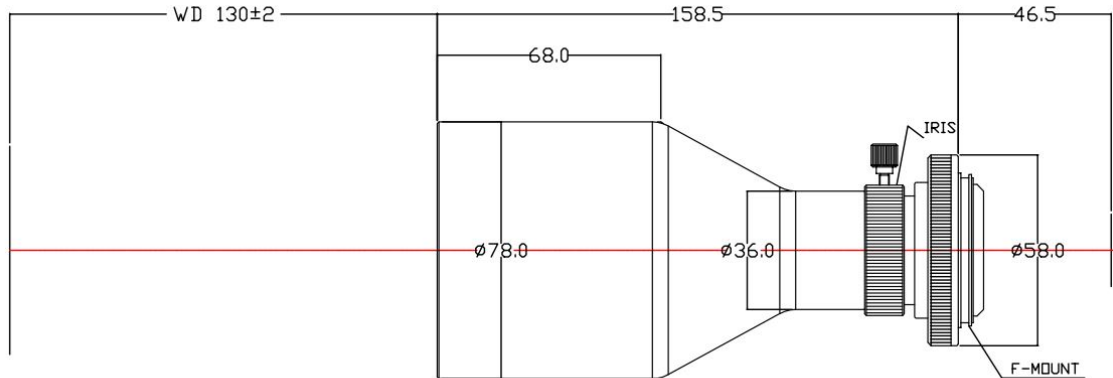


TF8MHR-0348-130I



The Object Side Telecentric Lens TF8MHR-0348-130I is suitable for sensors up to 8 megapixel and with an image format of 8M (23mm).

Technical Data

Magnification	0.348 X
Mount Type	F-Mount
Aperture (F)	6.25
Working Distance (WD)	130
Depth of Field (DOF)	2300 µm
Resolution (Object Side)	12.1 µm
Numerical Aperture (NA)	0.0278
Image Format (max.)	8M (23mm)
Megapixel	8 MP
Field of View (FOV)	52.1mm X 39.1mm @ 8M CCD
Telecentric Type	Object Side
Telecentricity	0.03 °
Optical Distortion (max.)	0.04 %
Special Feature	Super High Res

