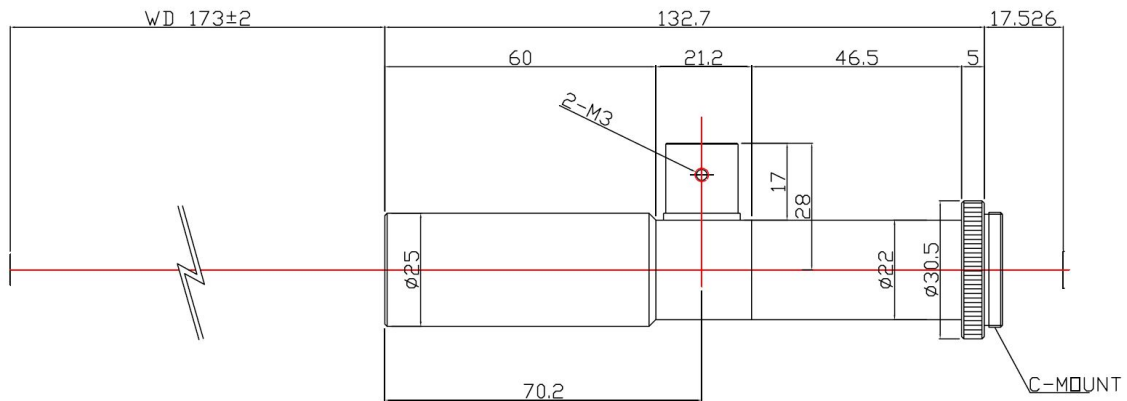


# TCST-12-173C



The Object Side Telecentric Lens TCST-12-173C is suitable for sensors with an image format of 1/2 inch.

## Technical Data

Magnification	1.2 X
Mount Type	C-Mount
Aperture (F)	20
Working Distance (WD)	173
Depth of Field (DOF)	1100 µm
Resolution (Object Side)	11.2 µm
Numerical Aperture (NA)	0.03
Image Format (max.)	1/2 inch
Field of View (FOV)	5.3mm x 4mm@1/2" CCD
Telecentric Type	Object Side
Telecentricity	0.04 °
Optical Distortion (max.)	0.13 %
Special Feature	Standard

