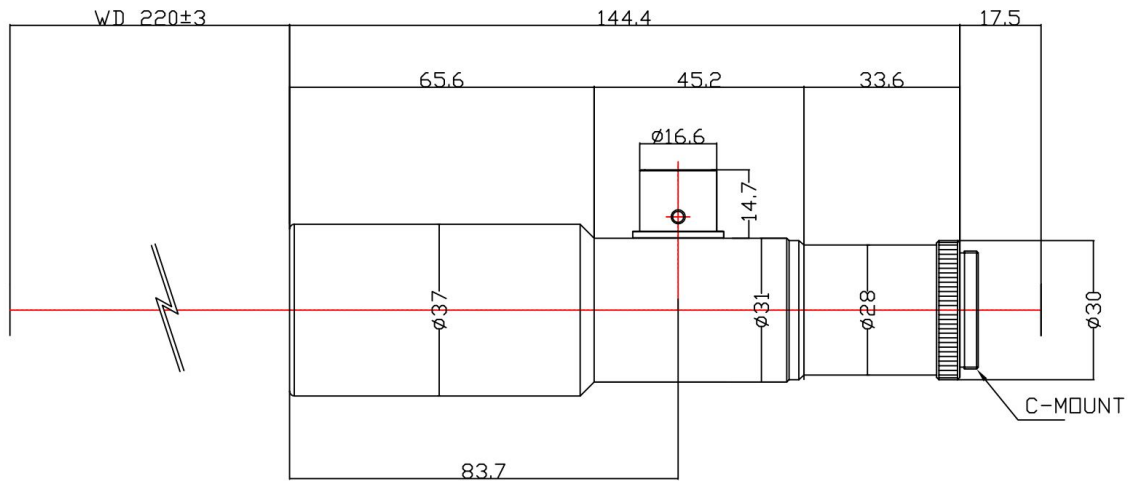


TCST-10-220C



The Object Side Telecentric Lens TCST-10-220C is suitable for sensors with an image format of 2/3 inch.

Technical Data

Magnification	1 X
Mount Type	C-Mount
Aperture (F)	11
Working Distance (WD)	220
Depth of Field (DOF)	880 μ m
Resolution (Object Side)	7.4 μ m
Numerical Aperture (NA)	0.045
Image Format (max.)	2/3 inch
Field of View (FOV)	8.8mm x 6.6mm@ 2/3" CCD
Telecentric Type	Object Side
Telecentricity	0.03 °
Optical Distortion (max.)	0.01 %
Special Feature	Standard

