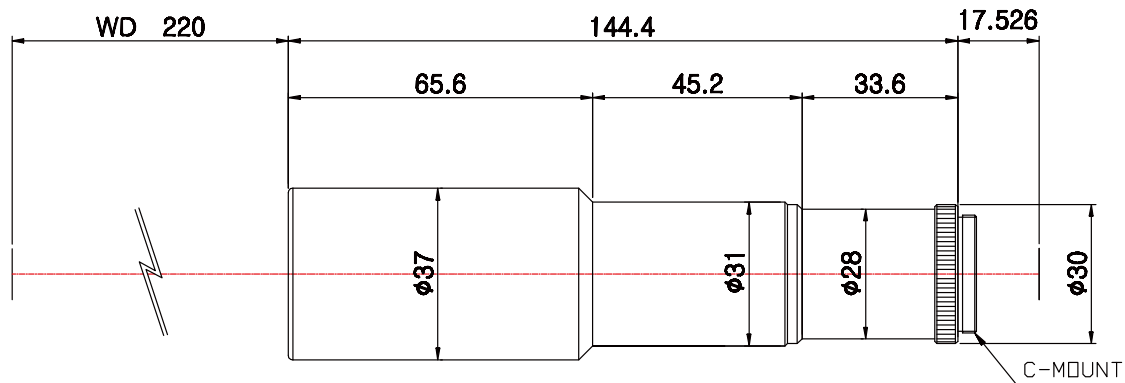


# TCST-10-220



The Object Side Telecentric Lens TCST-10-220 is suitable for sensors with an image format of 2/3 inch.

## Technical Data

Magnification	1 X
Mount Type	C-Mount
Aperture (F)	11
Working Distance (WD)	220
Depth of Field (DOF)	880 $\mu$ m
Resolution (Object Side)	7.4 $\mu$ m
Numerical Aperture (NA)	0.045
Image Format (max.)	2/3 inch
Field of View (FOV)	8.8mm x 6.6mm@2/3" CCD
Telecentric Type	Object Side
Telecentricity	0.03 °
Optical Distortion (max.)	0.01 %
Special Feature	Standard

