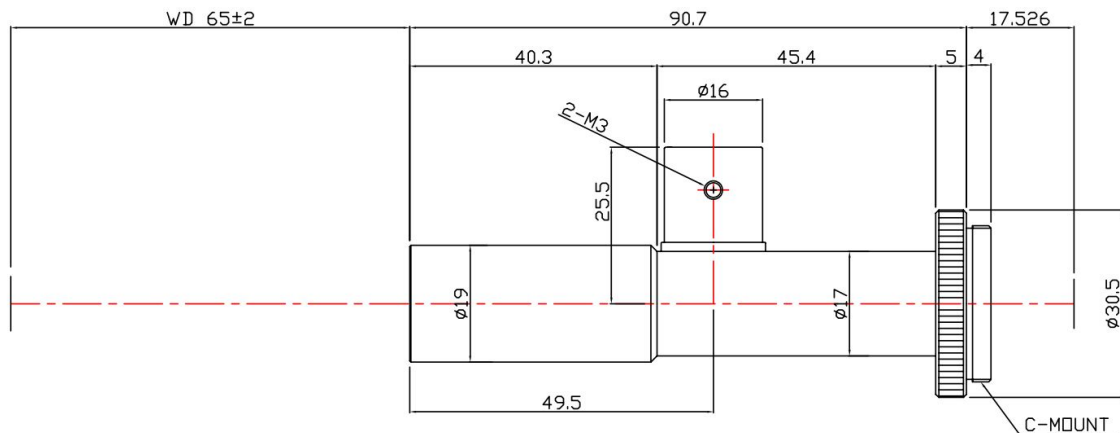


TCST-08-65C



The Object Side Telecentric Lens TCST-08-65C is suitable for sensors with an image format of 1/2 inch.

Technical Data

Magnification	0.8 X
Mount Type	C-Mount
Aperture (F)	14.8
Working Distance (WD)	65
Depth of Field (DOF)	1.85 µm
Resolution (Object Side)	12.4 µm
Numerical Aperture (NA)	0.027
Image Format (max.)	1/2 inch
Field of View (FOV)	8mm x 6mm@1/2" CCD
Telecentric Type	Object Side
Telecentricity	0.02 °
Optical Distortion (max.)	0.03 %
Special Feature	Standard

