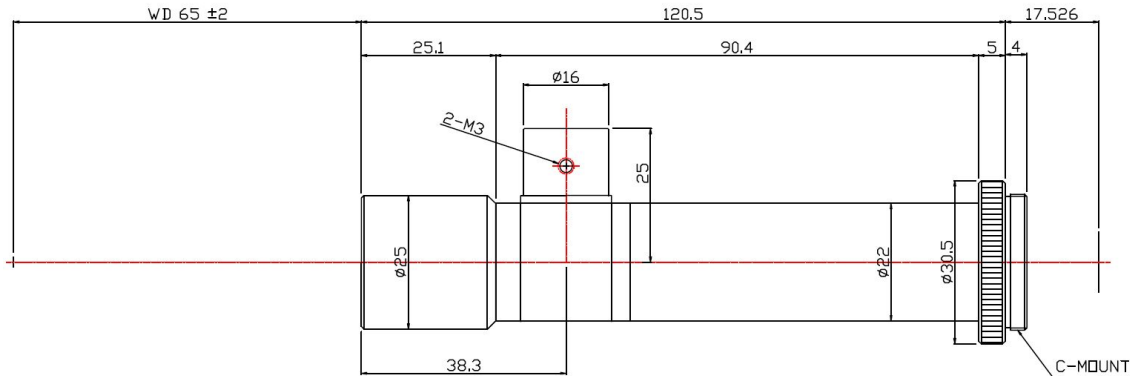


# TCHR-60-65C



The Object Side Telecentric Lens TCHR-60-65C is suitable for sensors with an image format of 2/3 inch.

## Technical Data

Magnification	6 X
Mount Type	C-Mount
Aperture (F)	27.2
Working Distance (WD)	65
Depth of Field (DOF)	61 µm
Resolution (Object Side)	3 µm
Numerical Aperture (NA)	0.11
Image Format (max.)	2/3 inch
Field of View (FOV)	1.46mm x 1.11mm @2/3" CCD
Telecentric Type	Object Side
Telecentricity	0.05 °
Optical Distortion (max.)	0.03 %
Special Feature	High Res

