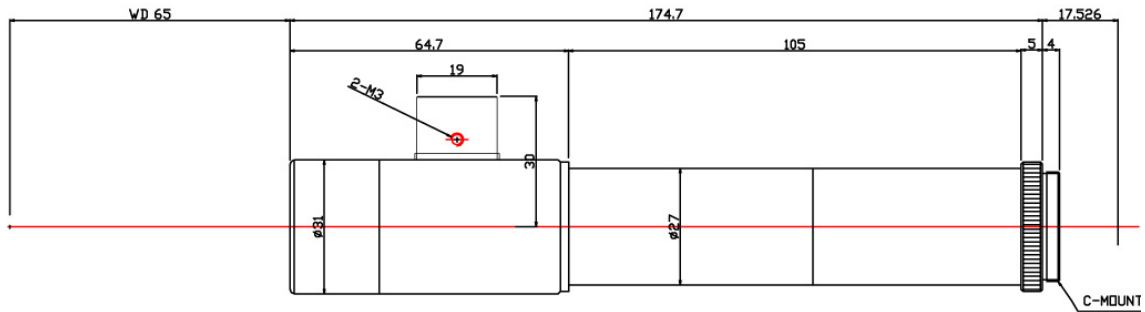


TCHR-120-65C



The Object Side Telecentric Lens TCHR-120-65C is suitable for sensors with an image format of 1/2 inch.

Technical Data

Magnification	12 X
Mount Type	C-Mount
Aperture (F)	37.3
Working Distance (WD)	65
Depth of Field (DOF)	21 μm
Resolution (Object Side)	2.1 μm
Numerical Aperture (NA)	0.161
Image Format (max.)	1/2 inch
Field of View (FOV)	0.53mm x 0.4mm@1/2" CCD
Telecentric Type	Object Side
Telecentricity	0.004 °
Optical Distortion (max.)	0.1 %
Special Feature	High Res

