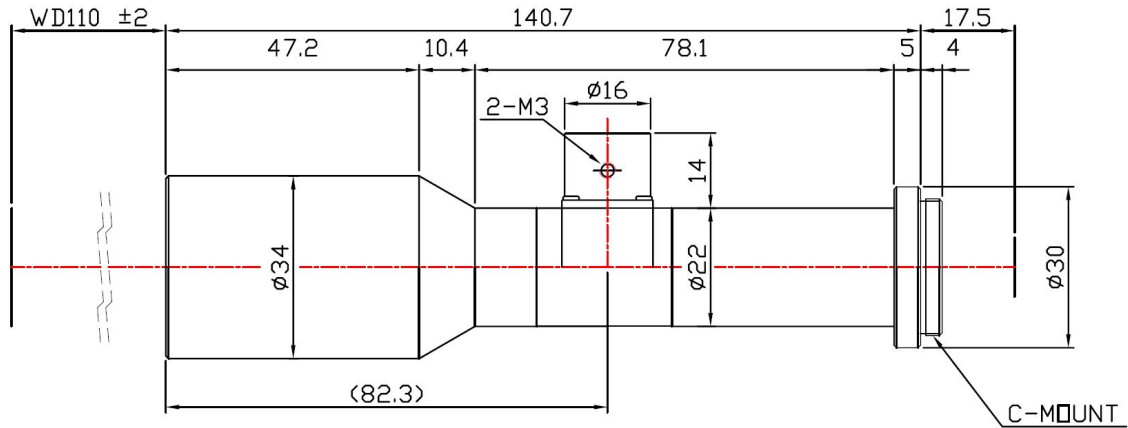


# TCHR-05-110C



The Object Side Telecentric Lens TCHR-05-110C is suitable for sensors with an image format of 2/3 inch.

## Technical Data

Magnification	0.5 X
Mount Type	C-Mount
Aperture (F)	11.1
Working Distance (WD)	110
Depth of Field (DOF)	3500 µm
Resolution (Object Side)	14.9 µm
Numerical Aperture (NA)	0.0225
Image Format (max.)	2/3 inch
Field of View (FOV)	17.6mm x 13.2mm@2/3" CCD
Telecentric Type	Object Side
Telecentricity	0.02 °
Optical Distortion (max.)	0.15 %
Special Feature	High Res

