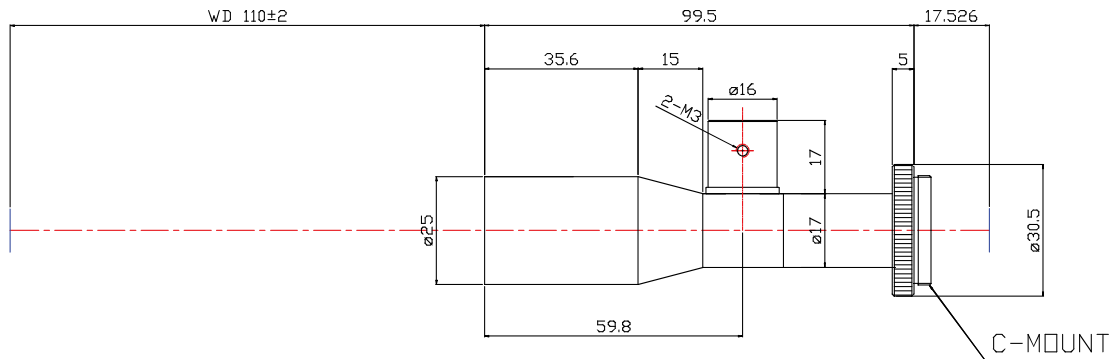


# TCHR-05-110-S13C



The Object Side Telecentric Lens TCHR-05-110-S13C is suitable for sensors with an image format of 1/3 inch.

## Technical Data

Magnification	0.5 X
Mount Type	C-Mount
Aperture (F)	8.3
Working Distance (WD)	110
Depth of Field (DOF)	2600 µm
Resolution (Object Side)	11.2 µm
Numerical Aperture (NA)	0.03
Image Format (max.)	1/3 inch
Field of View (FOV)	9.6mm x 7.2mm@1/3" CCD
Telecentric Type	Object Side
Telecentricity	0.03 °
Optical Distortion (max.)	0.05 %
Special Feature	High Res

