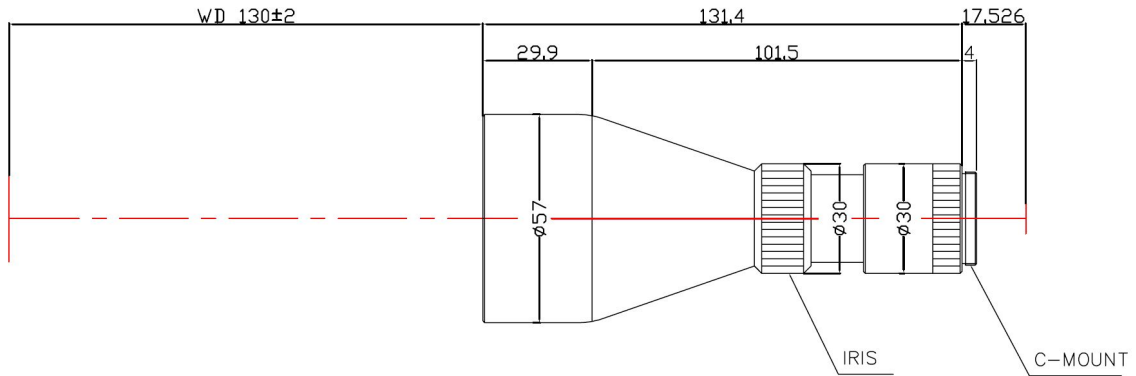


# TCHR-035-130I



The Object Side Telecentric Lens TCHR-035-130I is suitable for sensors with an image format of 1/2 inch.

## Technical Data

|                           |                    |
|---------------------------|--------------------|
| Magnification             | 0.35 X             |
| Mount Type                | C-Mount            |
| Aperture (F)              | 7.3                |
| Working Distance (WD)     | 130                |
| Depth of Field (DOF)      | 4.8 $\mu\text{m}$  |
| Resolution (Object Side)  | 14.1 $\mu\text{m}$ |
| Numerical Aperture (NA)   | 0.0238             |
| Image Format (max.)       | 1/2 inch           |
| Field of View (FOV)       | 18.3 x 13.7 mm     |
| Telecentric Type          | Object Side        |
| Telecentricity            | 0.035 $^\circ$     |
| Optical Distortion (max.) | 0.08 %             |
| Special Feature           | High Res           |

