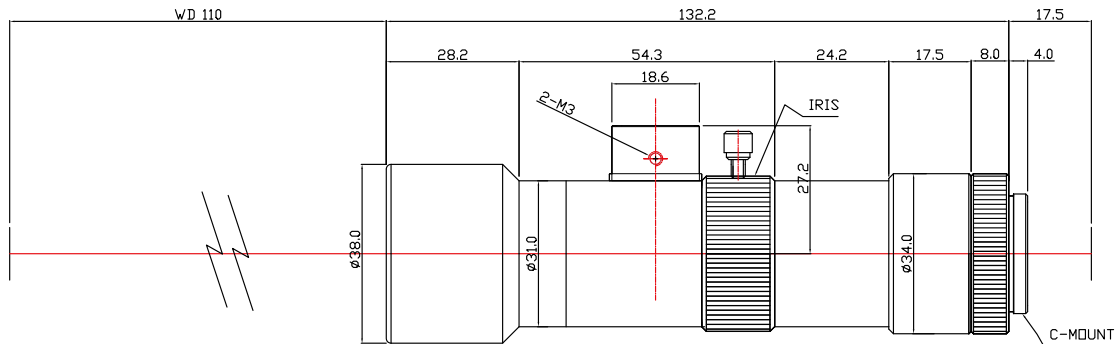


TC5M-10-110IC



The Object Side Telecentric Lens TC5M-10-110IC is suitable for sensors up to 5 megapixel and with an image format of 2/3 inch.

Technical Data

Magnification	1 X
Mount Type	C-Mount
Aperture (F)	6.5
Working Distance (WD)	110
Depth of Field (DOF)	260 µm
Resolution (Object Side)	4.36 µm
Numerical Aperture (NA)	0.077
Image Format (max.)	2/3 inch
Megapixel	5 MP
Field of View (FOV)	8.47mm x 7.1mm @5M CCD
Telecentric Type	Object Side
Telecentricity	0.025 °
Optical Distortion (max.)	0.01 %
Special Feature	Super High Res

