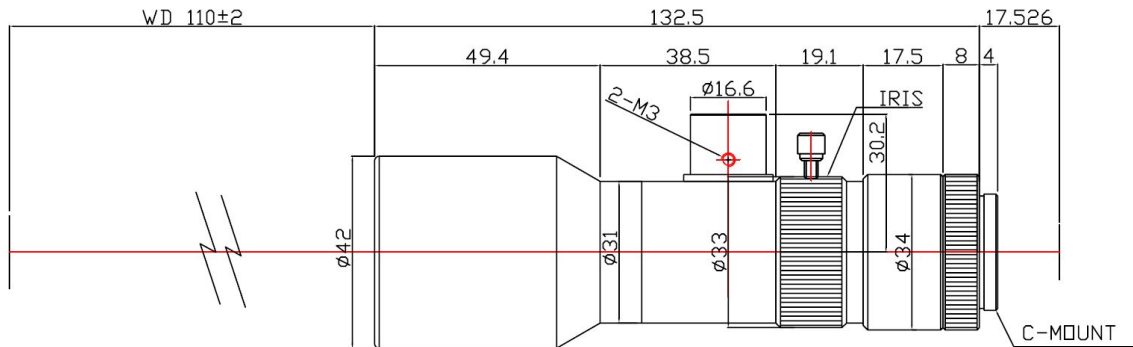


# TC5M-05-110IC



The Object Side Telecentric Lens TC5M-05-110IC is suitable for sensors up to 5 megapixel and with an image format of 2/3 inch.

## Technical Data

Magnification	0.5 X
Mount Type	C-Mount
Aperture (F)	5.38
Working Distance (WD)	110
Depth of Field (DOF)	861 $\mu$ m
Resolution (Object Side)	7.2 $\mu$ m
Numerical Aperture (NA)	0.0465
Image Format (max.)	2/3 inch
Megapixel	5 MP
Field of View (FOV)	16.9mm x 14.2mm @5M CCD
Telecentric Type	Object Side
Telecentricity	0.02 °
Optical Distortion (max.)	0.02 %
Special Feature	Super High Res

