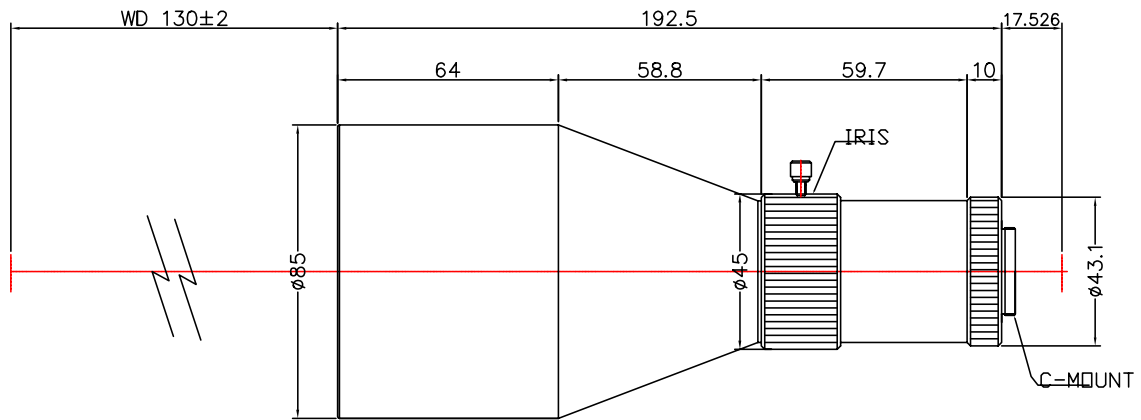


TC5M-0315-130I



The Object Side Telecentric Lens TC5M-0315-130I is suitable for sensors up to 5 megapixel and with an image format of 2/3 inch.

Technical Data

Magnification	0.315 X
Mount Type	C-Mount
Aperture (F)	6.25
Working Distance (WD)	130
Depth of Field (DOF)	2520 µm
Resolution (Object Side)	13.3 µm
Numerical Aperture (NA)	0.0252
Image Format (max.)	2/3 inch
Megapixel	5 MP
Field of View (FOV)	26.8mm x 22.4mm@5M CCD
Telecentric Type	Object Side
Telecentricity	0.03 °
Optical Distortion (max.)	0.03 %
Special Feature	Super High Res

