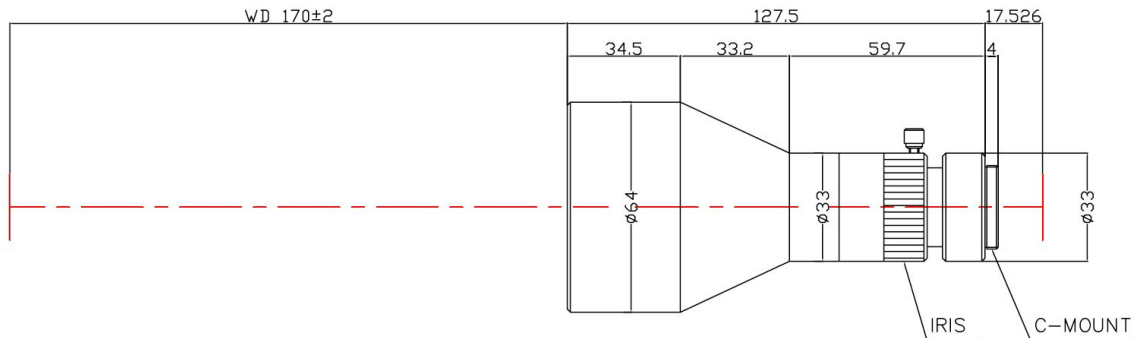


TC5M-03-170I



The Object Side Telecentric Lens TC5M-03-170I is suitable for sensors up to 5 megapixel and with an image format of 2/3 inch.

Technical Data

Magnification	0.3 X
Mount Type	C-Mount
Aperture (F)	8
Working Distance (WD)	170
Depth of Field (DOF)	3.55 µm
Resolution (Object Side)	17.94 µm
Numerical Aperture (NA)	0.0187
Image Format (max.)	2/3 inch
Megapixel	5 MP
Field of View (FOV)	28.2mm x 23.7mm@5M CCD
Telecentric Type	Object Side
Telecentricity	0.03 °
Optical Distortion (max.)	0.01 %
Special Feature	Standard

