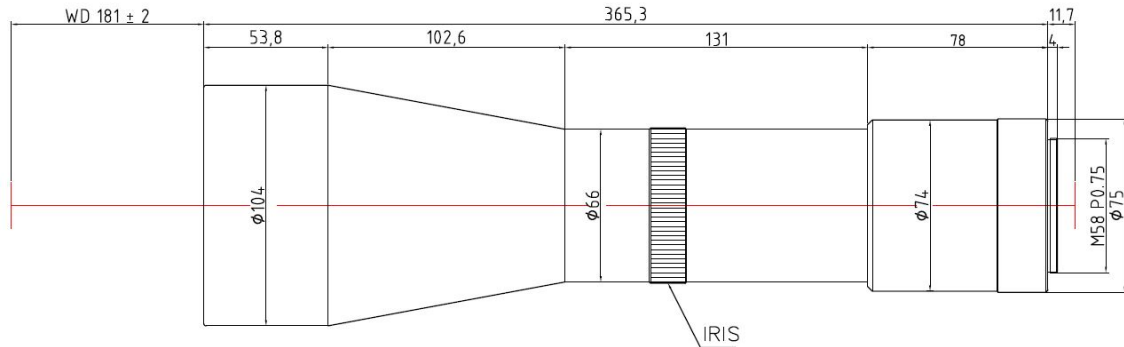


T29M-0664-181I



The Double Side Telecentric Lens T29M-0664-181I is suitable for sensors up to 29 megapixel and with an image format of 29M (43mm).

Technical Data

Magnification	0.664 X
Mount Type	M58
Aperture (F)	8.3
Working Distance (WD)	181
Depth of Field (DOF)	828.3 μ m
Resolution (Object Side)	8.4 μ m
Numerical Aperture (NA)	0.04
Image Format (max.)	29M (43mm)
Megapixel	29 MP
Field of View (FOV)	54mm X 36mm @ 29M CCD
Telecentric Type	Double Side
Telecentricity	0.05 °
Optical Distortion (max.)	0.05 %
Special Feature	Super High Res

