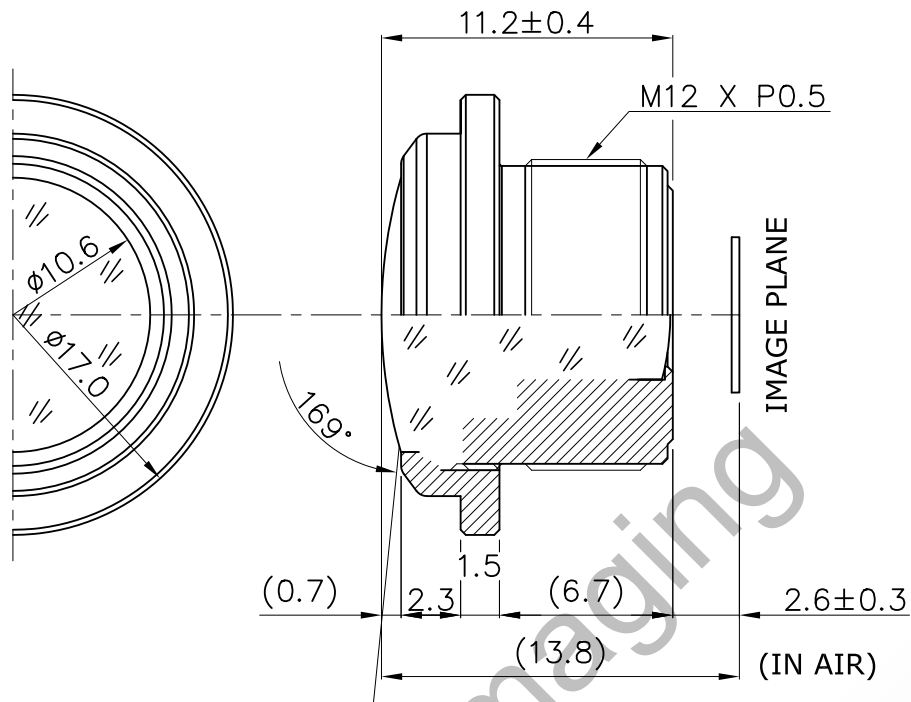


# Lensagon BA2325WPC



The S-Mount lens Lensagon BA2325WPC is suitable for common sensors up to 1 megapixel with an image format of 1/3 inch. max. CRA 22.17°

## Technical Data

Mount	S-Mount
Sensor	1/3 inch
Focal Length	2.3 mm
Aperture	2.5
MOD	0.2 m
Back Focal	2.7 mm
Angle of View	D:163.8° H:122° V:90.1°
Megapixel	1-2 MP
IR Cut Filter	Yes
Weight	6 g
Iris	fixed
Focus	fixed
Typ	Waterproof

**SEDECO**  
IMAGING

Germany, Austria, Switzerland

Sedeco Imaging GmbH  
Unterer Dammweg 12  
76149 Karlsruhe  
Germany  
T. +49 721 5604 7980  
info@sedeco-imaging.com

BeNeLux

Sedeco Imaging B.V.  
Trasmolenlaan 12  
3447 GZ Woerden  
the Netherlands  
T. +31 348 749110  
info@sedeco-imaging.nl

[www.sedeco-imaging.com](http://www.sedeco-imaging.com)



**1** Megapixel