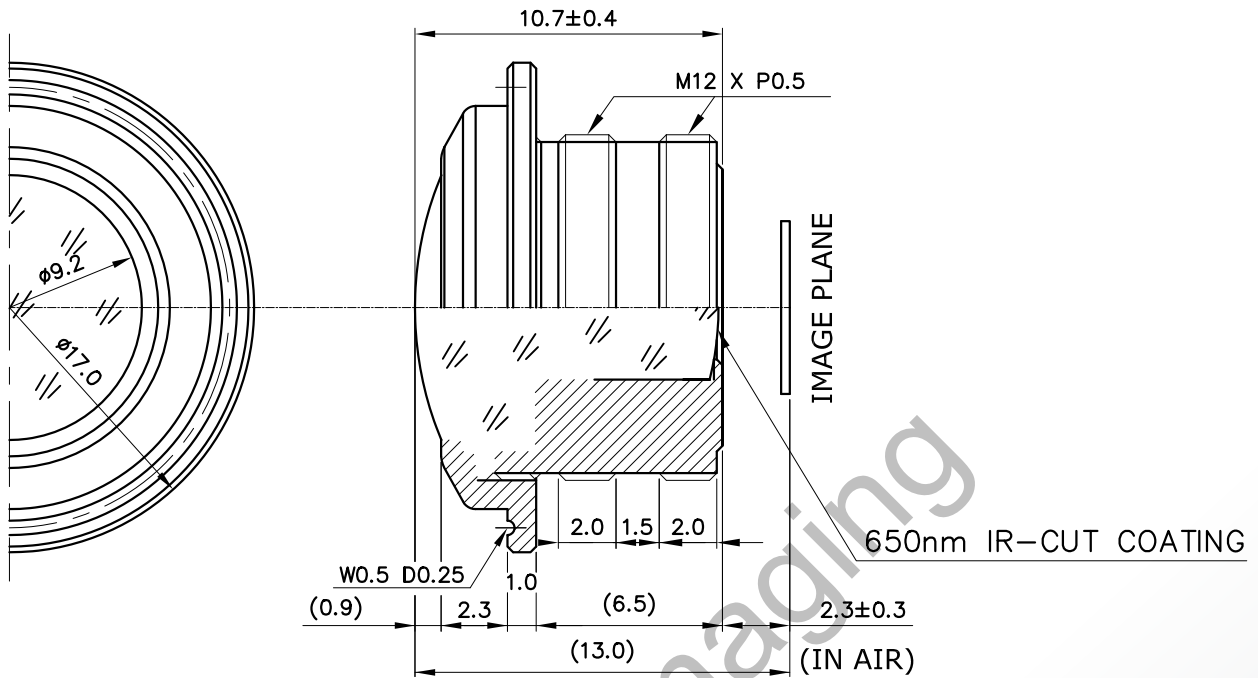


Lensagon BA2025WPC



The S-Mount lens Lensagon BA2025WPC is suitable for common sensors up to 1 megapixel with an image format of 1/4 inch. Waterproof lens

Technical Data

Mount	S-Mount
Sensor	1/4 inch
Focal Length	2 mm
Aperture	2.5
MOD	0.2 m
Back Focal	2.47 mm
Angle of View	D:160° H:121° V:90°
Megapixel	1-2 MP
IR Cut Filter	Yes
Weight	5.5 g
Iris	fixed
Focus	fixed
Typ	Waterproof

SEDECO
IMAGING

Germany, Austria, Switzerland
Sedeco Imaging GmbH
Unterer Dammweg 12
76149 Karlsruhe
Germany
T. +49 721 5604 7980
info@sedeco-imaging.com

BeNeLux
Sedeco Imaging B.V.
Trasmolenlaan 12
3447 CZ Woerden
the Netherlands
T. +31 348 749110
info@sedeco-imaging.nl

www.sedeco-imaging.com



1 Megapixel