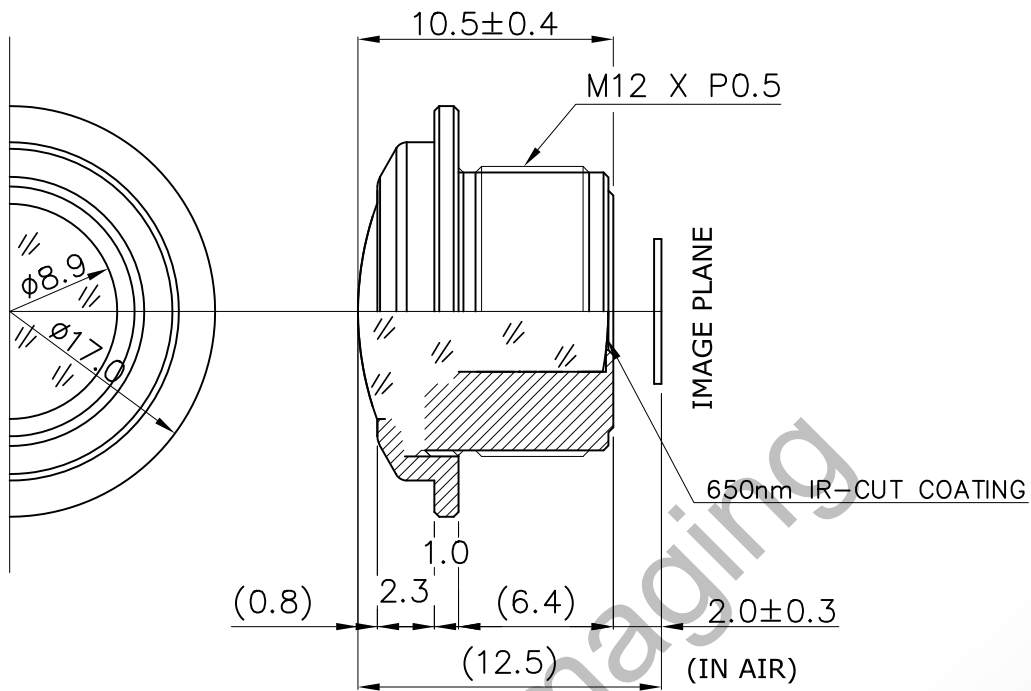


# Lensagon BA1825WPC



The S-Mount lens Lensagon BA1825WPC is suitable for common sensors up to 1 megapixel with an image format of 1/4 inch. Waterproof lens

## Technical Data

|               |                     |
|---------------|---------------------|
| Mount         | S-Mount             |
| Sensor        | 1/4 inch            |
| Focal Length  | 1.8 mm              |
| Aperture      | 2.5                 |
| MOD           | 0.2 m               |
| Back Focal    | 2.2 mm              |
| Angle of View | D:160° H:120° V:90° |
| Megapixel     | 1-2 MP              |
| IR Correction | No                  |
| IR Cut Filter | Yes                 |
| Weight        | 5.5 g               |
| Iris          | fixed               |
| Focus         | fixed               |
| Typ           | Waterproof          |

**SEDECO**  
IMAGING

Germany, Austria, Switzerland  
Sedeco Imaging GmbH  
Unterer Dammweg 12  
76149 Karlsruhe  
Germany  
T. +49 721 5604 7980  
info@sedeco-imaging.com

BeNeLux  
Sedeco Imaging B.V.  
Trasmolenlaan 12  
3447 GZ Woerden  
the Netherlands  
T. +31 348 749110  
info@sedeco-imaging.nl

[www.sedeco-imaging.com](http://www.sedeco-imaging.com)



**1** Megapixel