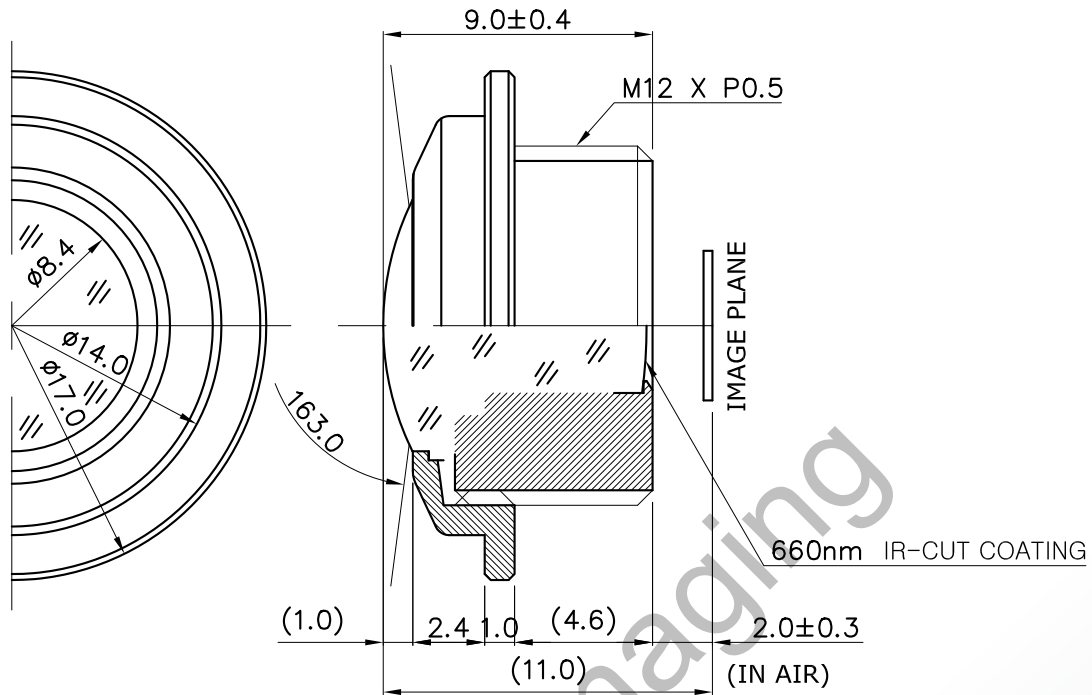


Lensagon BA1520WPC



The S-Mount lens Lensagon BA1520WPC is suitable for common sensors up to 1 megapixel with an image format of 1/4 inch. It is characterized by a particularly high light intensity. Waterproof lens

Technical Data

Mount	S-Mount
Sensor	1/4 inch
Focal Length	1.5 mm
Aperture	1.9
MOD	0.2 m
Back Focal	2.2 mm
Angle of View	D:163° H:130° V:100.9°
Megapixel	1-2 MP
IR Cut Filter	Yes
Weight	5.5 g
Iris	fixed
Focus	fixed
Typ	Waterproof

SEDECO
IMAGING

Germany, Austria, Switzerland

Sedeco Imaging GmbH
Unterer Dammweg 12
76149 Karlsruhe
Germany
T. +49 721 5604 7980
info@sedeco-imaging.com

BeNeLux

Sedeco Imaging B.V.
Trasmolenlaan 12
3447 GZ Woerden
the Netherlands
T. +31 348 749110
info@sedeco-imaging.nl

www.sedeco-imaging.com



Light Sensitive



1 Megapixel