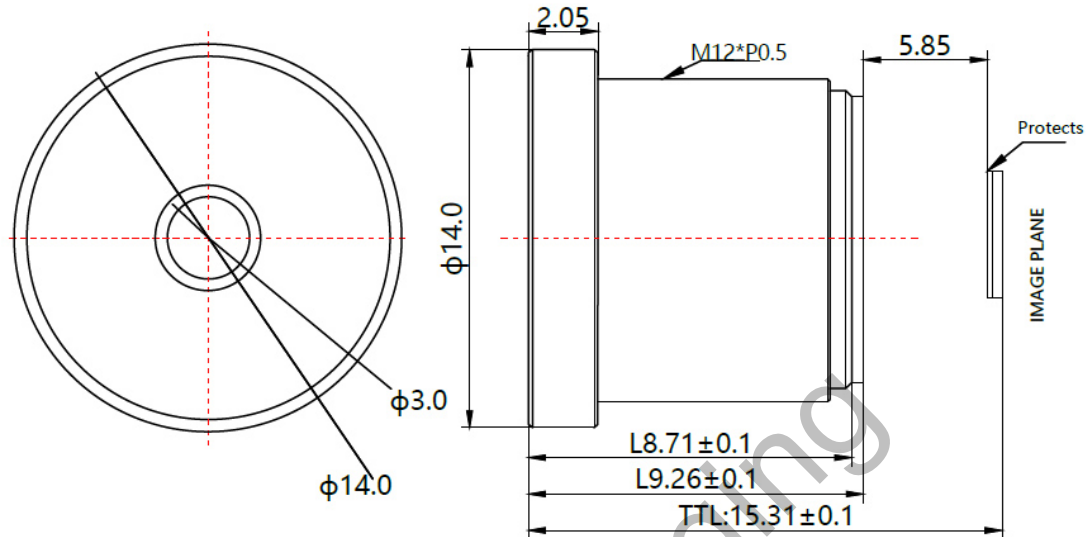


B5M8556S12



The S-Mount lens Lensagon B5M8556S12 is suitable for common sensors up to 5 megapixel with an image format of 1/2 inch.

Technical Data

Mount	S-Mount
Sensor	1/2 inch
Focal Length	8.5 mm
Aperture	5.6
MOD	0.1 m
Back Focal	5.85 mm
Angle of View	D:54.3° H:44.1° V:33.2°
Megapixel	5 MP
IR Cut Filter	No
Image Circle	8.5 mm
Weight	5 g
Iris	fixed
Focus	fixed
Chief ray angle	8.6 °

SEDECO
IMAGING

Germany, Austria, Switzerland

Sedeco Imaging GmbH
Unterer Dammweg 12
76149 Karlsruhe
Germany
T. +49 721 5604 7980
info@sedeco-imaging.com

BeNeLux

Sedeco Imaging B.V.
Trasmolenlaan 12
3447 GZ Woerden
the Netherlands
T. +31 348 749110
info@sedeco-imaging.nl

www.sedeco-imaging.com



5 Megapixel