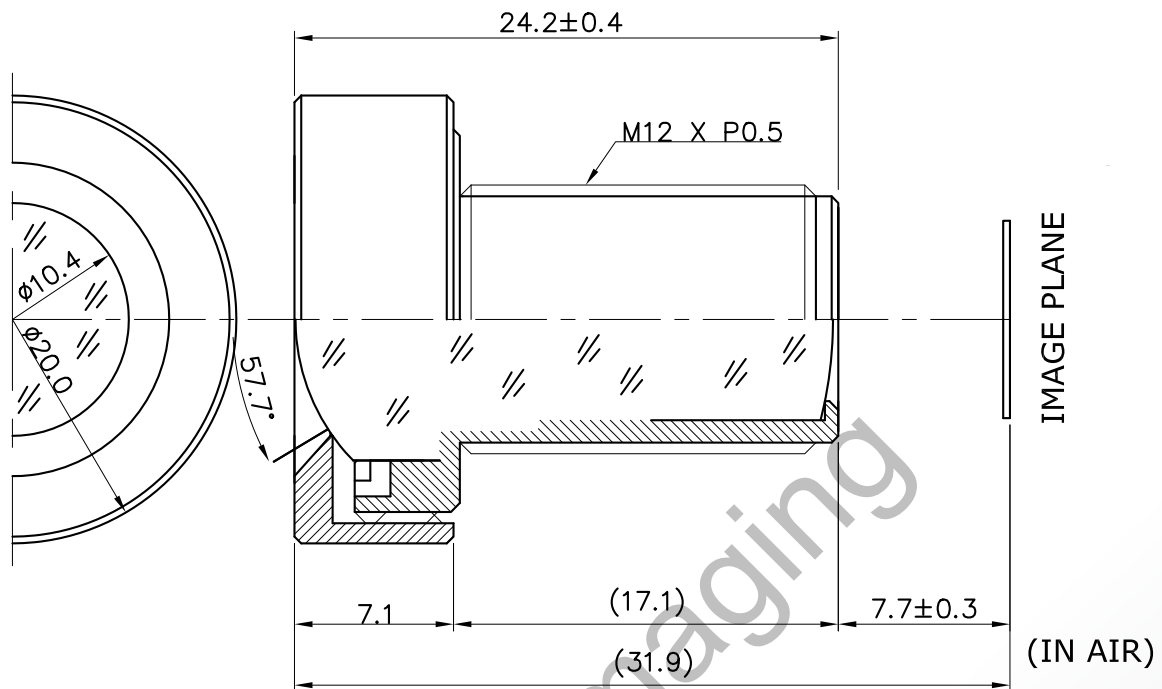


B3M8018S12



The S-Mount lens Lensagon B3M8018S12 is suitable for common sensors up to 3 megapixel with an image format of 1/2 inch. It is characterized by a particularly high light intensity.

Technical Data

Mount	S-Mount
Sensor	1/2 inch
Focal Length	8 mm
Aperture	1.8
MOD	0.5 m
Back Focal	7.9 mm
Angle of View	D:57.7° H:46.5° V:35.1°
Megapixel	3 MP
IR Cut	No
Weight	12 g
Iris	fixed
Focus	fixed
Typ	Standard

SEDECO
IMAGING

Germany, Austria, Switzerland
Sedeco Imaging GmbH
Unterer Dammweg 12
76149 Karlsruhe
Germany
T. +49 721 5604 7980
info@sedeco-imaging.com

BeNeLux
Sedeco Imaging B.V.
Trasmolenlaan 12
3447 GZ Woerden
the Netherlands
T. +31 348 749110
info@sedeco-imaging.nl

www.sedeco-imaging.com



Light Sensitive



Megapixel