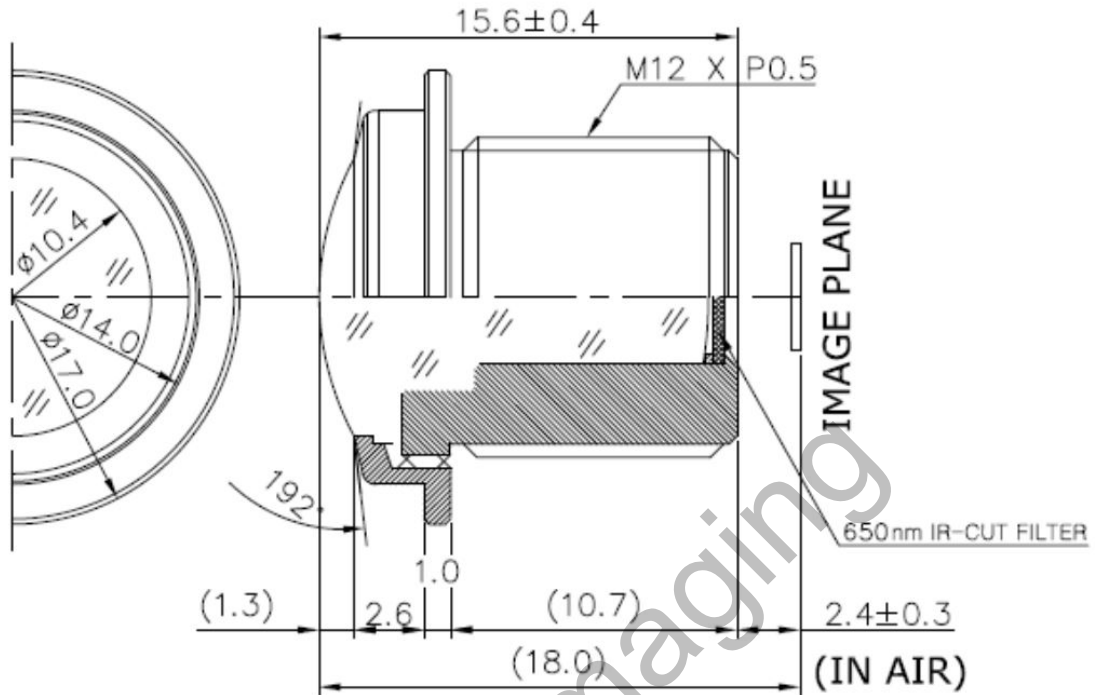


Lensagon BK1220C



The S-Mount lens Lensagon BK1220C is suitable for sensors below 1 megapixel with an image format of 1/4 inch. It is characterized by a particularly high light intensity.

Technical Data

Mount	S-Mount
Sensor	1/4 inch
Focal Length	1.2 mm
Aperture	2
Back Focal	3.4 mm
Angle of View	D:192° H:175° V:127°
Megapixel	0.3 MP
IR Correction	No
IR Cut Filter	Yes
Iris	fixed
Focus	fixed
Typ	Standard

SEDECO
IMAGING

Germany, Austria, Switzerland
Sedeco Imaging GmbH
Unterer Dammweg 12
76149 Karlsruhe
Germany
T. +49 721 5604 7980
info@sedeco-imaging.com

BeNeLux
Sedeco Imaging B.V.
Trasmolenlaan 12
3447 GZ Woerden
the Netherlands
T. +31 348 749110
info@sedeco-imaging.nl

www.sedeco-imaging.com



Light Sensitive