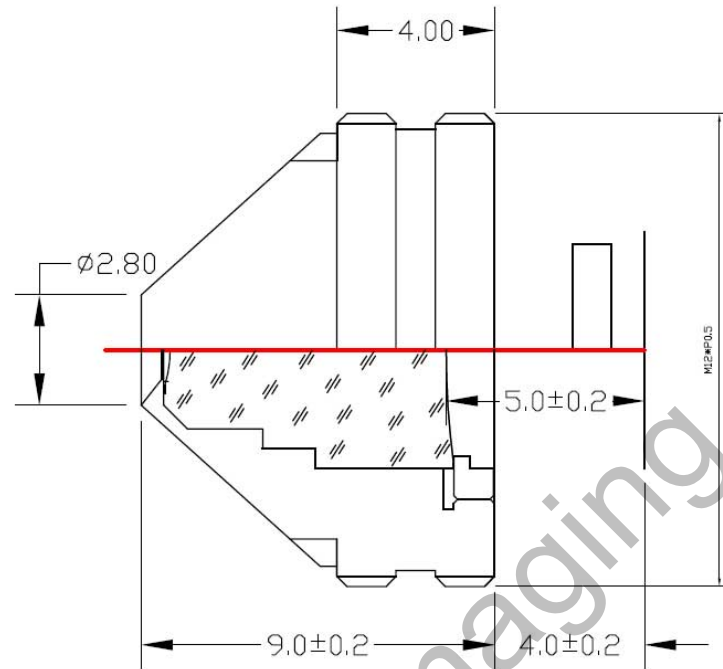


BP3M3728S127



The S-Mount lens Lensagon BP3M3728S127 is suitable for common sensors up to 3 megapixel with an image format of 1/2.7 inch.

Technical Data

Sensor	1/2.7 inch
Focal Length	3.7 mm
Aperture	2.8
MOD	0.3 m
Back Focal	5 mm
Angle of View	D:90° H:66.6° V:48°
Megapixel	3 MP
Weight	1.8 g

SEDECO
IMAGING

Germany, Austria, Switzerland
Sedeco Imaging GmbH
Unterer Dammweg 12
76149 Karlsruhe
Germany
T. +49 721 5604 7980
info@sedeco-imaging.com

BeNeLux
Sedeco Imaging B.V.
Trasmolenlaan 12
3447 GZ Woerden
the Netherlands
T. +31 348 749110
info@sedeco-imaging.nl

www.sedeco-imaging.com



3 Megapixel