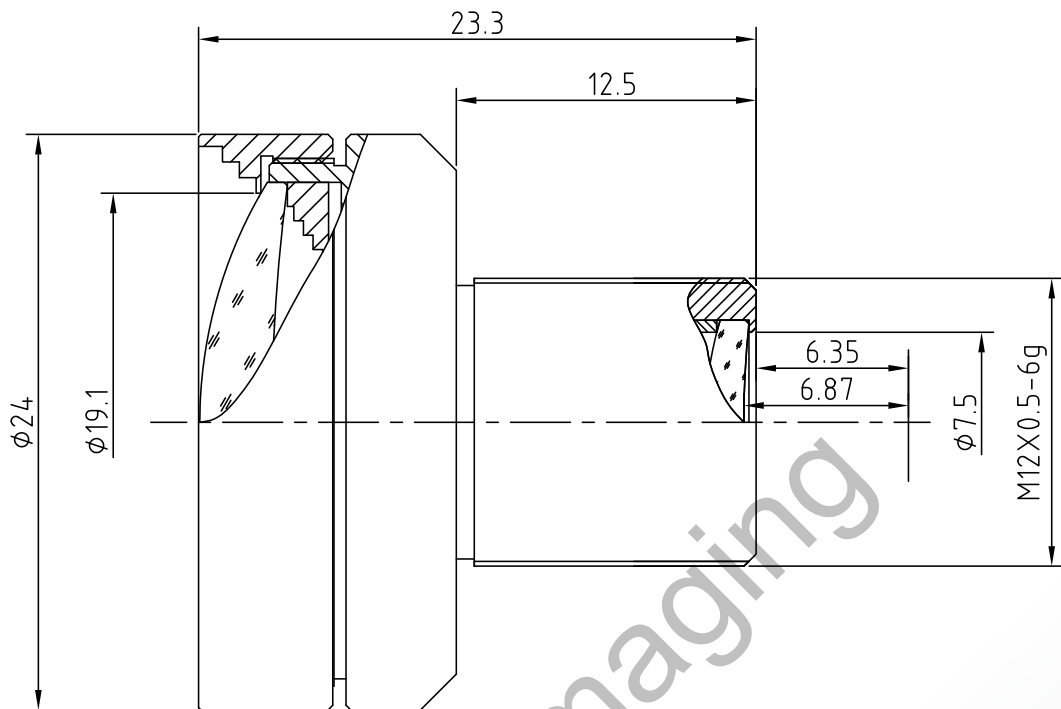


BM5518S12ND



The S-Mount lens Lensagon BM5518S12ND is suitable for common sensors up to 2 megapixel with an image format of 1/1.8 inch. It is characterized by a particularly high light intensity. Chief Ray Angle: 12.7°

Numerical Aperture: 0.44

Technical Data	
Mount	S-Mount
Sensor	1/1.8 - 1/2 inch Sensor
Focal Length	5.5 mm
Aperture	1.8
MOD	0.2 m
Back Focal	6.87 mm
Angle of View	D:76° H:64.5° V:51°
Megapixel	2 MP
IR Cut	corrected
Distortion	2.2 %
Weight	17 g
Iris	fixed
Focus	fixed
Typ	Standard

SEDECO
IMAGING

Germany, Austria, Switzerland
 Sedeco Imaging GmbH
 Unterer Dammweg 12
 76149 Karlsruhe
 Germany
 T. +49 721 5604 7980
 Info@sedeco-imaging.com

BeNeLux
 Sedeco Imaging B.V.
 Trasmolenlaan 12
 3447 GZ Woerden
 the Netherlands
 T. +31 348 749110
 info@sedeco-imaging.nl

www.sedeco-imaging.com

