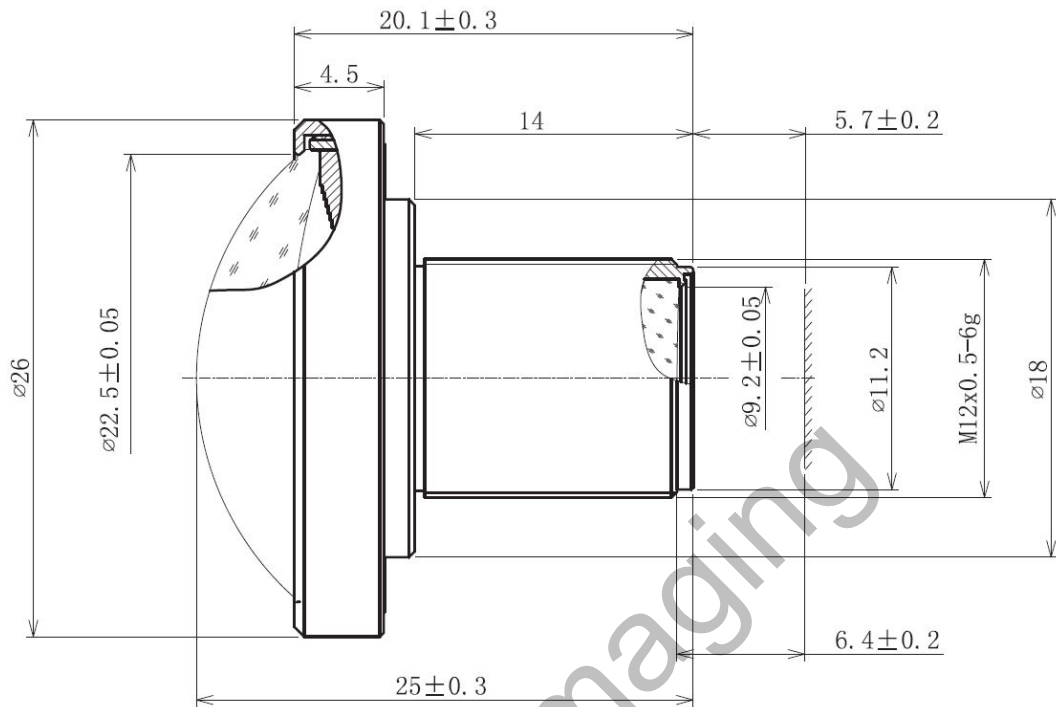


BM4518S118ND-810



The S-Mount lens Lensagon BM4518S118ND-810 is suitable for common sensors up to 1 megapixel with an image format of 1/1.8 inch. It is characterized by a particularly high light intensity. Chief Ray Angle: 8.4°

Numerical Aperture: 0.4

Technical Data

| | |
|---------------|-------------------------|
| Mount | S-Mount |
| Sensor | 1/1.8 - 1/2 inch Sensor |
| Focal Length | 4.5 mm |
| Aperture | 1.8 |
| MOD | 0.1 m |
| Back Focal | 6.4 mm |
| Angle of View | D:90° H:78° V:62° |
| Megapixel | 1-2 MP |
| Filter | 810nm |
| IR Cut | corrected |
| Distortion | -2.8 % |
| Iris | fixed |
| Focus | fixed |
| Typ | Standard |

SEDECO
IMAGING

Germany, Austria, Switzerland
Sedeco Imaging GmbH
Unterer Dammweg 12
76149 Karlsruhe
Germany
T. +49 721 5604 7980
Info@sedeco-imaging.com

BeNeLux
Sedeco Imaging B.V.
Trasmolenlaan 12
3447 GZ Woerden
the Netherlands
T. +31 348 749110
info@sedeco-imaging.nl

www.sedeco-imaging.com



Light Sensitive

1

Megapixel