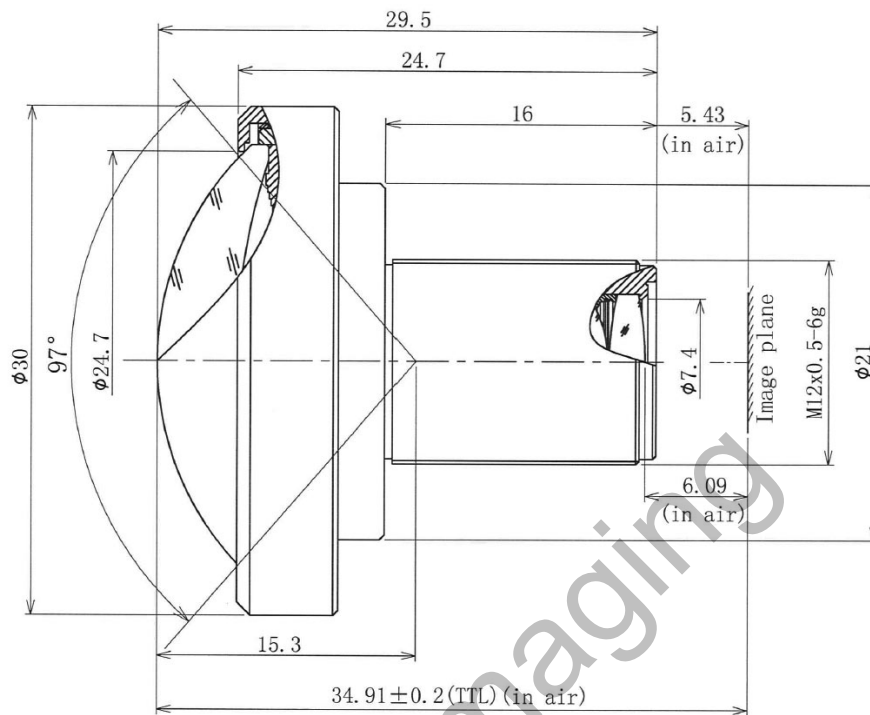


# BM3524S12ND



The S-Mount lens Lensagon BM3524S12ND is suitable for common sensors up to 1 megapixel with an image format of 1/2 inch.

## Technical Data

Mount	S-Mount
Sensor	1/2 inch
Focal Length	3.5 mm
Aperture	2.4
MOD	0.1 m
Back Focal	6.09 mm
Angle of View	D:97° H:84° V:68°
Megapixel	1-2 MP
IR Correction	Yes
IR Cut Filter	No
Distortion	-3.1 %
Iris	fixed
Focus	fixed
Chief ray angle	6.3 °

**SEDECO**  
IMAGING

Germany, Austria, Switzerland  
**Sedeco Imaging GmbH**  
 Unterer Dammweg 12  
 76149 Karlsruhe  
 Germany  
 T. +49 721 5604 7980  
 info@sedeco-imaging.com

BeNeLux  
**Sedeco Imaging B.V.**  
 Trasmolenlaan 12  
 3447 GZ Woerden  
 the Netherlands  
 T. +31 348 749110  
 info@sedeco-imaging.nl

[www.sedeco-imaging.com](http://www.sedeco-imaging.com)



**1** Megapixel