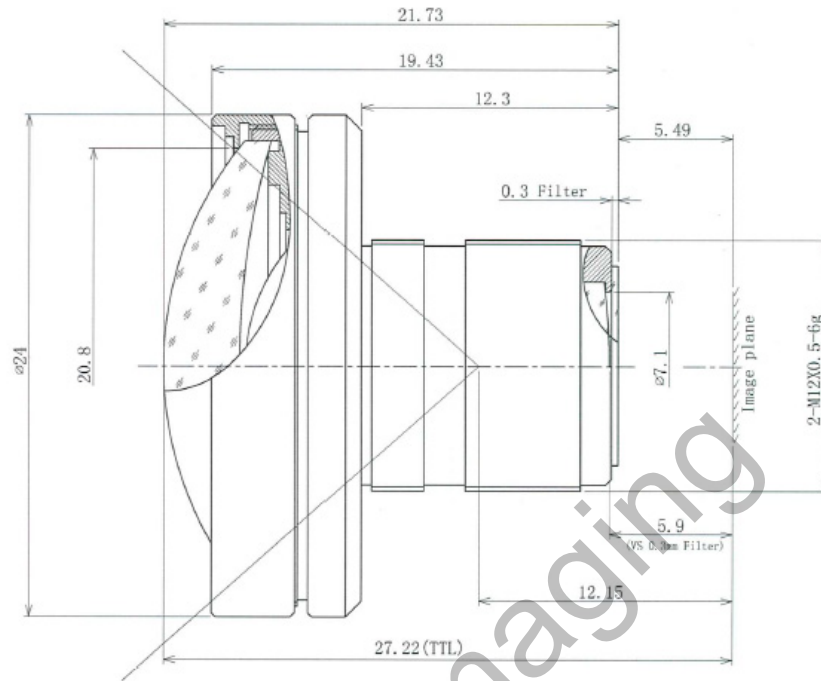


BM3518S125NDC



The S-Mount lens Lensagon BM3518S125NDC is suitable for sensors below 1 megapixel with an image format of 1/2.5 inch. It is characterized by a particularly high light intensity.

Technical Data

Mount	S-Mount
Sensor	1/2.5 inch
Focal Length	3.5 mm
Aperture	1.8
MOD	0.2 m
Back Focal	5.99 mm
Angle of View	D:90° H:84° V:68°
IR Cut Filter	Yes
Distortion	-1.5 %
Iris	fixed
Focus	fixed
Typ	Standard

SEDECO
IMAGING

Germany, Austria, Switzerland
Sedeco Imaging GmbH
Unterer Dammweg 12
76149 Karlsruhe
Germany
T. +49 721 5604 7980
info@sedeco-imaging.com

BeNeLux
Sedeco Imaging B.V.
Trasmolenlaan 12
3447 GZ Woerden
the Netherlands
T. +31 348 749110
info@sedeco-imaging.nl

www.sedeco-imaging.com

