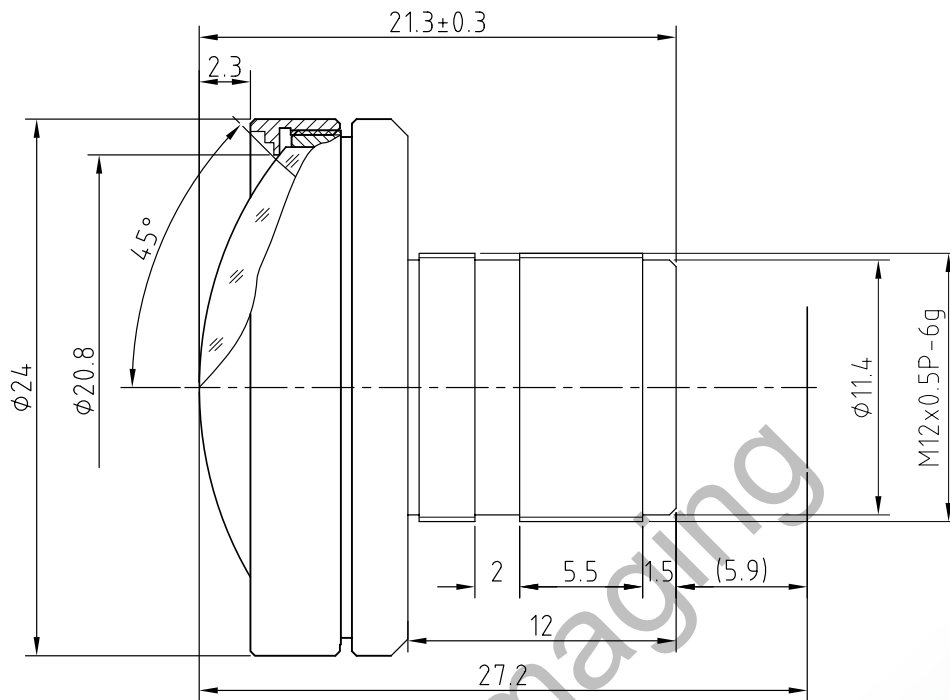


BM3518S125ND



The S-Mount lens Lensagon BM3518S125ND is suitable for common sensors up to 1.5 megapixel with an image format of 1/2.5 inch. It is characterized by a particularly high light intensity. CRA: 9.3°

Technical Data

Mount	S-Mount
Sensor	1/2.5 inch
Focal Length	3.5 mm
Aperture	1.8
Back Focal	5.97 mm
Angle of View	D:90° H:78° V:62.5°
Megapixel	1.5 MP
IR Correction	Yes
Distortion	1.9 %
Weight	13 g
Iris	fixed
Focus	fixed
Chief ray angle	9.3 °
Typ	Standard

SEDECO
IMAGING

Germany, Austria, Switzerland
Sedeco Imaging GmbH
 Unterer Dammweg 12
 76149 Karlsruhe
 Germany
 T. +49 721 5604 7980
 info@sedeco-imaging.com

BeNeLux
Sedeco Imaging B.V.
 Trasmolenlaan 12
 3447 GZ Woerden
 the Netherlands
 T. +31 348 749110
 info@sedeco-imaging.nl

www.sedeco-imaging.com



Light Sensitive



2 Megapixel