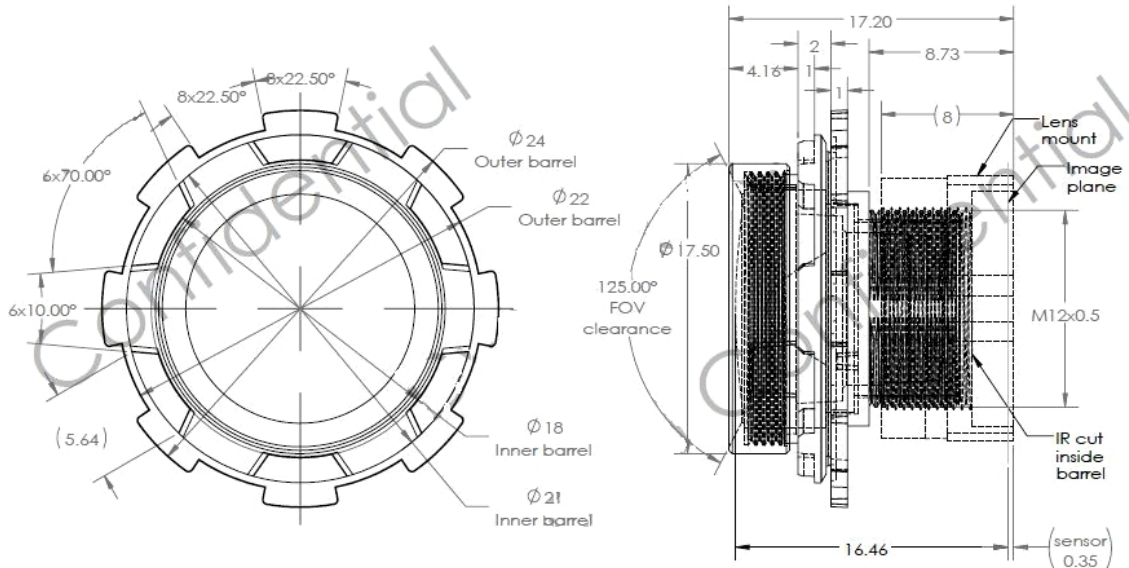


B4M1920NDC



The S-Mount lens Lensagon B4M1920NDC is suitable for common sensors up to 4 megapixel with an image format of 1/2.9 inch. It is characterized by a particularly high light intensity. $CRA < 10^\circ$, Entrance pupil $D0.97\text{mm}$, $P=3.48\text{mm}$ right from first lens surface.

Technical Data

Sensor	1/2.9 inch
Focal Length	1.93 mm
Aperture	2
Back Focal	1.137 mm
Angle of View	D:117.7° H:110° V:76.5°
Megapixel	4 MP
Optical Distortion	-0.05 %
Image Circle	6.6 mm
Weight	2.5 g

SEDECO
IMAGING

Germany, Austria, Switzerland
Sedeco Imaging GmbH
Unterer Dammweg 12
76149 Karlsruhe
Germany
T. +49 721 5604 7980
info@sedeco-imaging.com

BeNeLux
Sedeco Imaging B.V.
Trasmolenlaan 12
3447 CZ Woerden
the Netherlands
T. +31 348 749110
info@sedeco-imaging.nl

www.sedeco-imaging.com



Light Sensitive



Megapixel