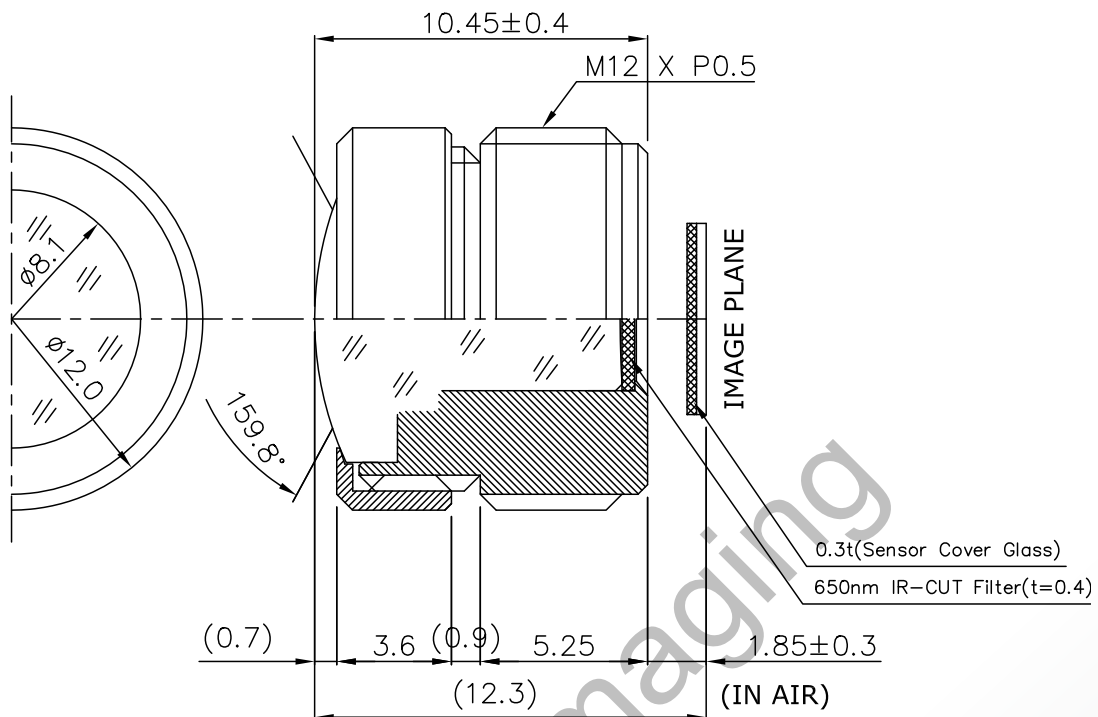


# Lensagon BMK2119C



The S-Mount lens Lensagon BMK2119C is suitable for common sensors up to 1.4 megapixel with an image format of 1/3 inch. It is characterized by a particularly high light intensity. Construction: 6 elements (1ASP Glass / 5G)

## Technical Data

Mount	S-Mount
Sensor	1/3 inch
Focal Length	2.1 mm
Aperture	1.9
Back Focal	2.2 mm
Angle of View	D:159.8° H:128° V:96.4°
Megapixel	1.4 MP
IR Cut Filter	Yes
Weight	2.7 g
Iris	fixed
Focus	fixed
Filter	SLAR coating 550nm
Typ	Standard

**SEDECO**  
IMAGING

Germany, Austria, Switzerland  
Sedeco Imaging GmbH  
Unterer Dammweg 12  
76149 Karlsruhe  
Germany  
T. +49 721 5604 7980  
info@sedeco-imaging.com

BeNeLux  
Sedeco Imaging B.V.  
Trasmolenlaan 12  
3447 GZ Woerden  
the Netherlands  
T. +31 348 749110  
info@sedeco-imaging.nl

[www.sedeco-imaging.com](http://www.sedeco-imaging.com)



Light Sensitive



1 Megapixel