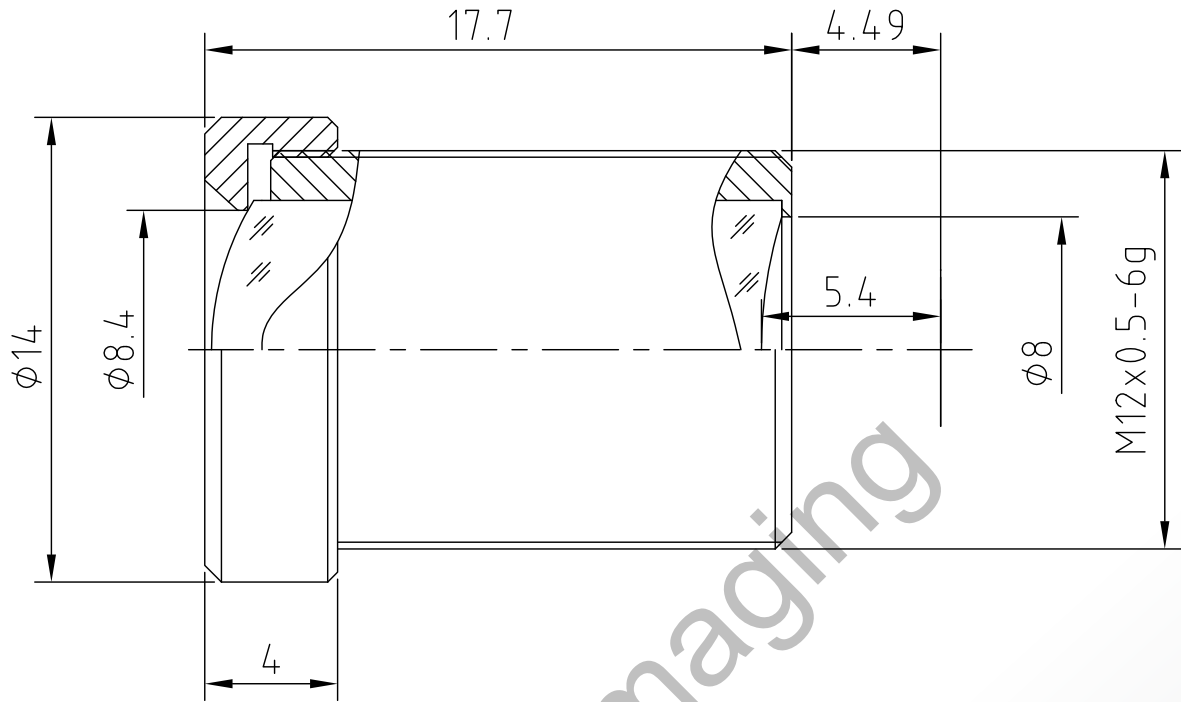


Lensagon BM8018C



The S-Mount lens Lensagon BM8018C is suitable for sensors below 1 megapixel with an image format of 1/3 inch. It is characterized by a particularly high light intensity.

Technical Data

| | |
|---------------|---------------------|
| Mount | S-Mount |
| Sensor | 1/3 inch |
| Focal Length | 8 mm |
| Aperture | 1.8 |
| MOD | 0.2 m |
| Back Focal | 5.4 mm |
| Angle of View | D:45° H:35.5° V:26° |
| IR Cut Filter | Yes |
| Weight | 6 g |
| Iris | fixed |
| Focus | fixed |
| Typ | Standard |

SEDECO
IMAGING

Germany, Austria, Switzerland
Sedeco Imaging GmbH
Unterer Dammweg 12
76149 Karlsruhe
Germany
T. +49 721 5604 7980
info@sedeco-imaging.com

BeNeLux
Sedeco Imaging B.V.
Trasmolenlaan 12
3447 GZ Woerden
the Netherlands
T. +31 348 749110
info@sedeco-imaging.nl

www.sedeco-imaging.com



Light Sensitive