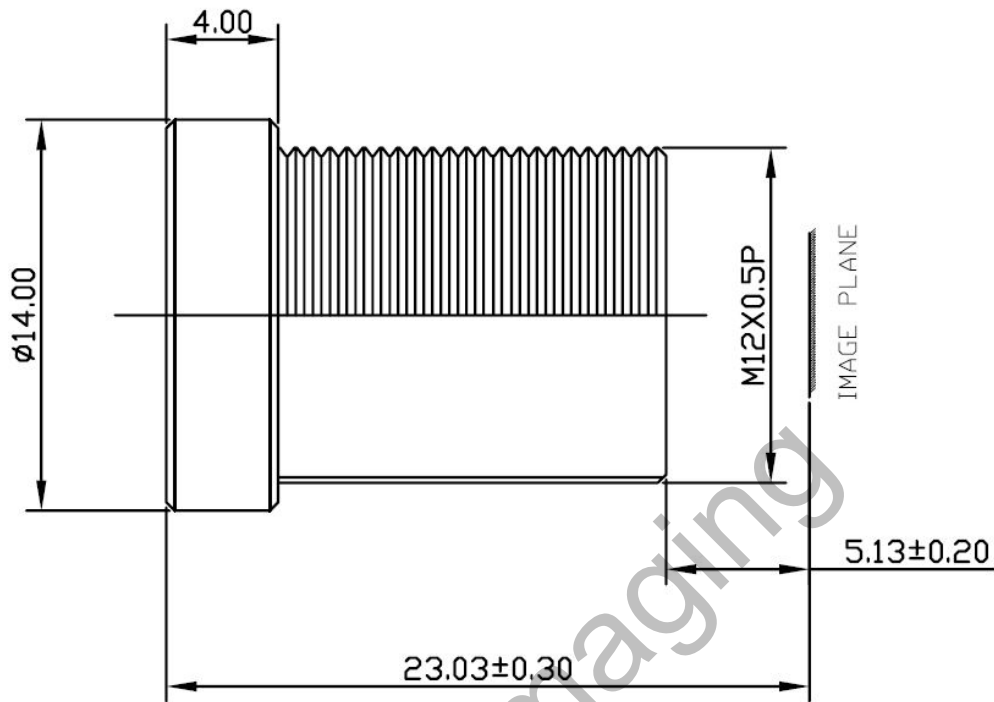


Lensagon BM4620DN



The S-Mount lens Lensagon BM4620DN is suitable for common sensors up to 1 megapixel with an image format of 1/3 inch. It is characterized by a particularly high light intensity.

Technical Data

Mount	S-Mount
Sensor	1/3 inch
Focal Length	4.6 mm
Aperture	2
MOD	0.2 m
Back Focal	5.63 mm
Angle of View	D:80° H:62° V:46°
Megapixel	1-2 MP
IR Correction	Yes
Distortion	-22 %
Weight	6 g
Iris	fixed
Focus	fixed
Typ	Standard

SEDECO
IMAGING

Germany, Austria, Switzerland
Sedeco Imaging GmbH
Unterer Dammweg 12
76149 Karlsruhe
Germany
T. +49 721 5604 7980
info@sedeco-imaging.com

BeNeLux
Sedeco Imaging B.V.
Trasmolenlaan 12
3447 GZ Woerden
the Netherlands
T. +31 348 749110
info@sedeco-imaging.nl

www.sedeco-imaging.com



Light Sensitive



1 Megapixel