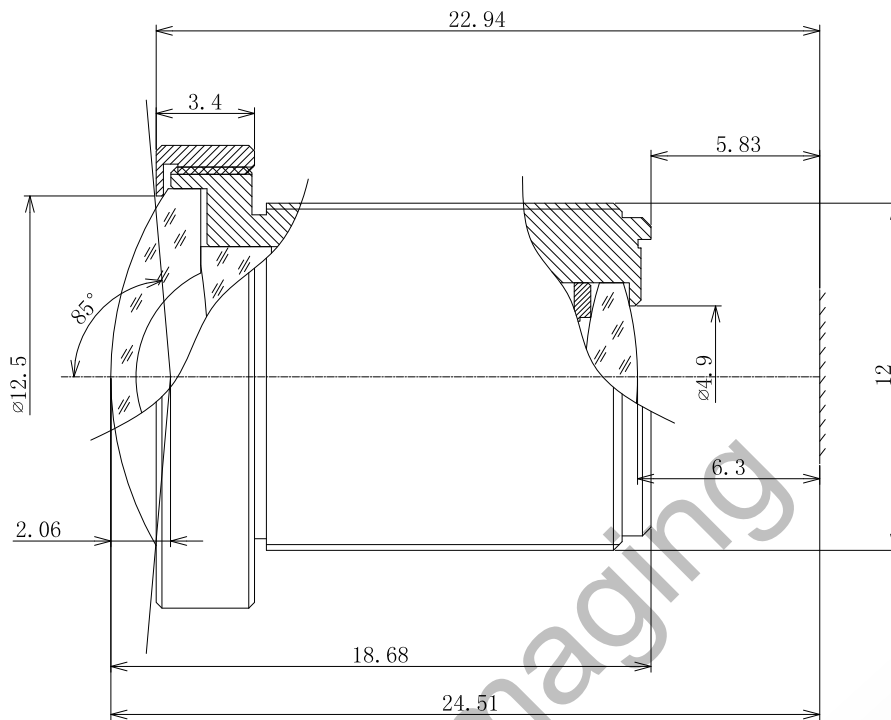


Lensagon BM2118V2



The S-Mount lens Lensagon BM2118V2 is suitable for common sensors up to 1 megapixel with an image format of 1/3 inch. max. CRA 10.5

Technical Data

Mount	S-Mount
Sensor	1/3 inch
Focal Length	2.1 mm
Aperture	2.2
MOD	0.2 m
Back Focal	6.3 mm
Angle of View	D:170° H:130° V:96°
Megapixel	1-2 MP
IR Correction	Yes
Distortion	-88.1 %
Iris	fixed
Focus	fixed
Typ	Standard

SEDECO
IMAGING

Germany, Austria, Switzerland
Sedeco Imaging GmbH
Unterer Dammweg 12
76149 Karlsruhe
Germany
T. +49 721 5604 7980
info@sedeco-imaging.com

BeNeLux
Sedeco Imaging B.V.
Trasmolenlaan 12
3447 GZ Woerden
the Netherlands
T. +31 348 749110
info@sedeco-imaging.nl

www.sedeco-imaging.com



1 Megapixel