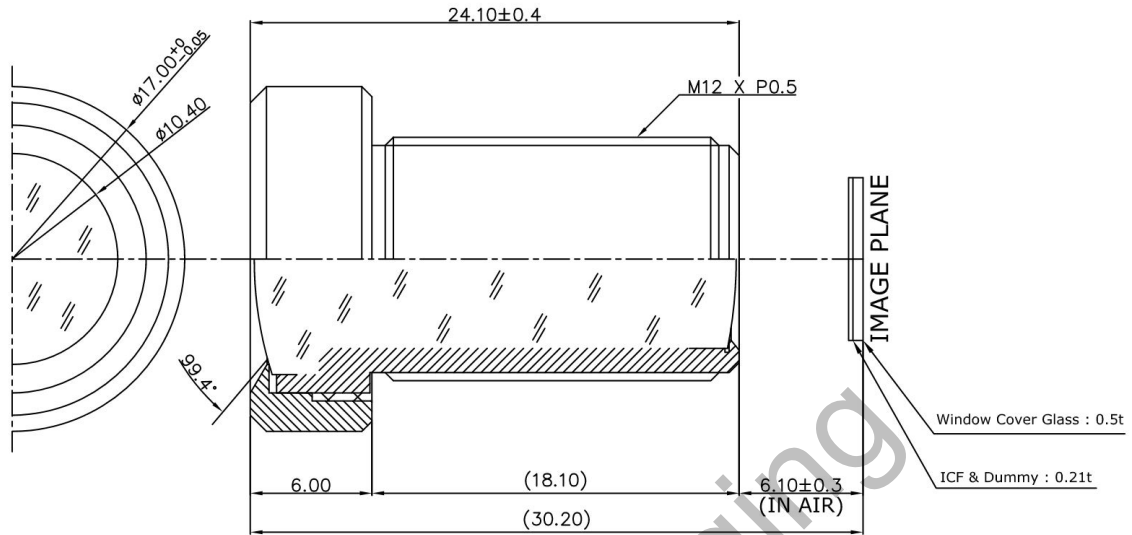


Lensagon BK5M5020



The S-Mount lens Lensagon BK5M5020 is suitable for common sensors up to 5 megapixel with an image format of 1/2 inch. It is characterized by a particularly high light intensity.

Technical Data

Sensor	1/2 inch
Focal Length	5 mm
Aperture	2
MOD	1.3 m
Back Focal	6.2 mm
Angle of View	D:99.4° H:75.5° V:55°
Megapixel	5 MP
Weight	10.02 g

SEDECO
IMAGING

Germany, Austria, Switzerland

Sedeco Imaging GmbH
Unterer Dammweg 12
76149 Karlsruhe
Germany
T. +49 721 5604 7980
info@sedeco-imaging.com

BeNeLux

Sedeco Imaging B.V.
Trasmolenlaan 12
3447 GZ Woerden
the Netherlands
T. +31 348 749110
info@sedeco-imaging.nl

www.sedeco-imaging.com



Light Sensitive



5 Megapixel