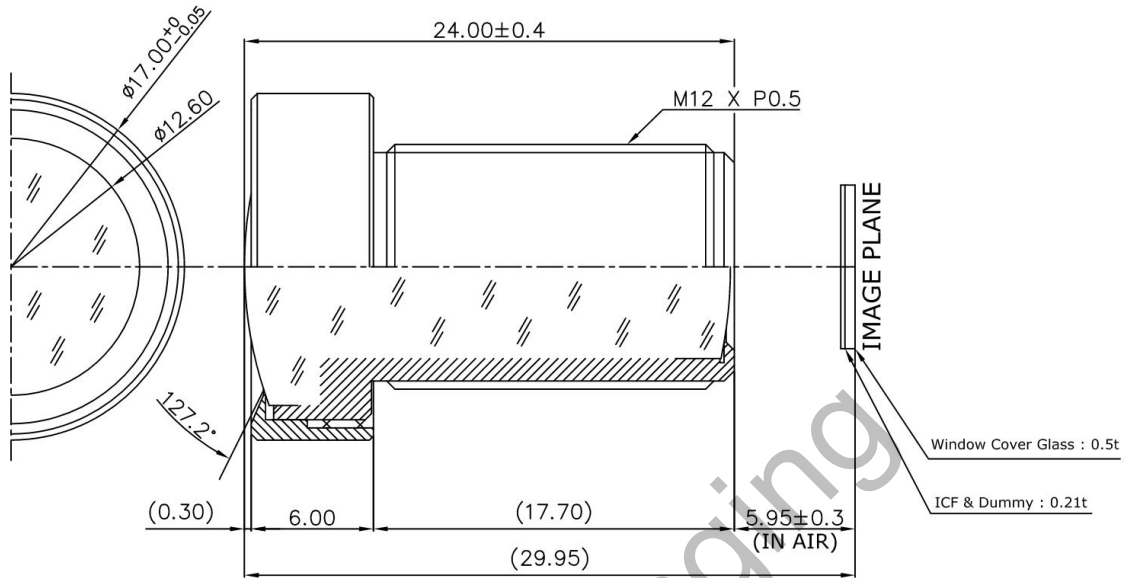


# Lensagon BK5M3920



The S-Mount lens Lensagon BK5M3920 is suitable for common sensors up to 5 megapixel with an image format of 1/2 inch. It is characterized by a particularly high light intensity.

## Technical Data

Sensor	1/2 inch
Focal Length	3.9 mm
Aperture	2
MOD	0.8 m
Back Focal	6.1 mm
Angle of View	D:127.2° H:96.1° V:70°
Megapixel	5 MP
Weight	9.93 g

**SEDECO**  
IMAGING

Germany, Austria, Switzerland  
Sedeco Imaging GmbH  
Unterer Dammweg 12  
76149 Karlsruhe  
Germany  
T. +49 721 5604 7980  
info@sedeco-imaging.com

BeNeLux  
Sedeco Imaging B.V.  
Trasmolenlaan 12  
3447 GZ Woerden  
the Netherlands  
T. +31 348 749110  
info@sedeco-imaging.nl

[www.sedeco-imaging.com](http://www.sedeco-imaging.com)



Light Sensitive



Megapixel