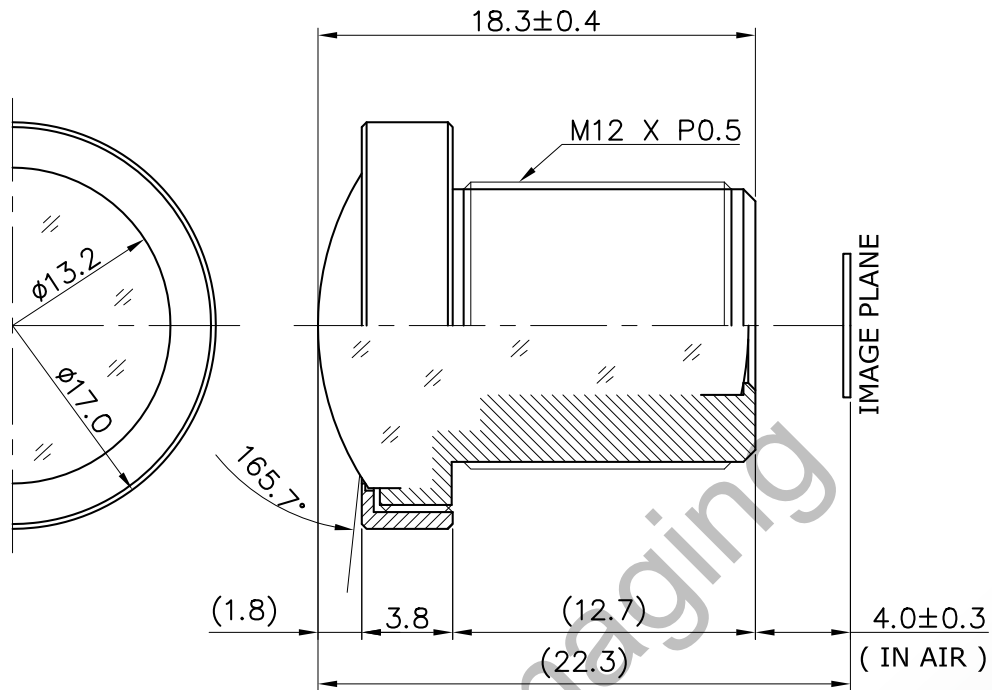


Lensagon BHR2125



The S-Mount lens Lensagon BHR2125 is suitable for sensors below 1 megapixel with an image format of 1/3 inch. CRA at full field: 16.96°

Technical Data

Mount	S-Mount
Sensor	1/3 inch
Focal Length	2.1 mm
Aperture	2.5
MOD	200 m
Back Focal	4.25 mm
Angle of View	D:165.7° H:132.3° V:102°
Megapixel	0.7 MP
IR Cut	No
Distortion	-0.851 %
Image Circle	6
Weight	6.1 g
Iris	fixed
Focus	fixed
Typ	Standard

SEDECO
IMAGING

Germany, Austria, Switzerland
Sedeco Imaging GmbH
Unterer Dammweg 12
76149 Karlsruhe
Germany
T. +49 721 5604 7980
info@sedeco-imaging.com

BeNeLux
Sedeco Imaging B.V.
Trasmolenlaan 12
3447 GZ Woerden
the Netherlands
T. +31 348 749110
info@sedeco-imaging.nl

www.sedeco-imaging.com

