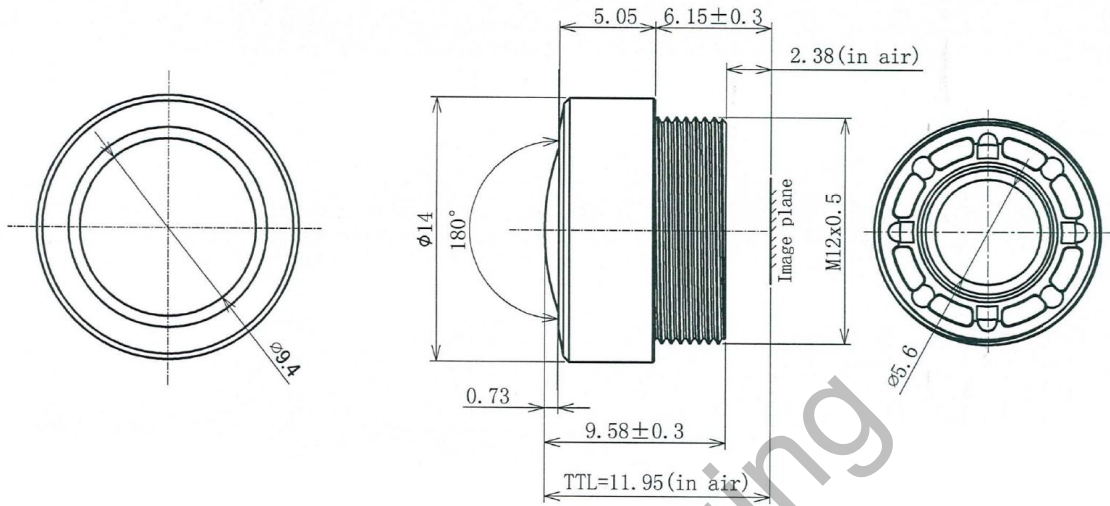


Lensagon BF5M19622



The S-Mount lens Lensagon BF5M19622 is suitable for common sensors up to 5 megapixel with an image format of 1/2.5 inch.

Technical Data

Mount	S-Mount
Sensor	1/2.5 inch
Focal Length	1.96 mm
Aperture	2.2
MOD	0.1 m
Back Focal	2.77 mm
Angle of View	D:180° H:180° V:130.5°
Megapixel	5 MP
IR Correction	No
Image Circle	5.6 mm
Iris	fixed
Focus	fixed
Chief ray angle	15.3 °
Typ	Standard

SEDECO
IMAGING

Germany, Austria, Switzerland

Sedeco Imaging GmbH
Unterer Dammweg 12
76149 Karlsruhe
Germany

T. +49 721 5604 7980
info@sedeco-imaging.com

BeNeLux

Sedeco Imaging B.V.
Trasmolenlaan 12
3447 GZ Woerden
the Netherlands

T. +31 348 749110
info@sedeco-imaging.nl

www.sedeco-imaging.com



5 Megapixel