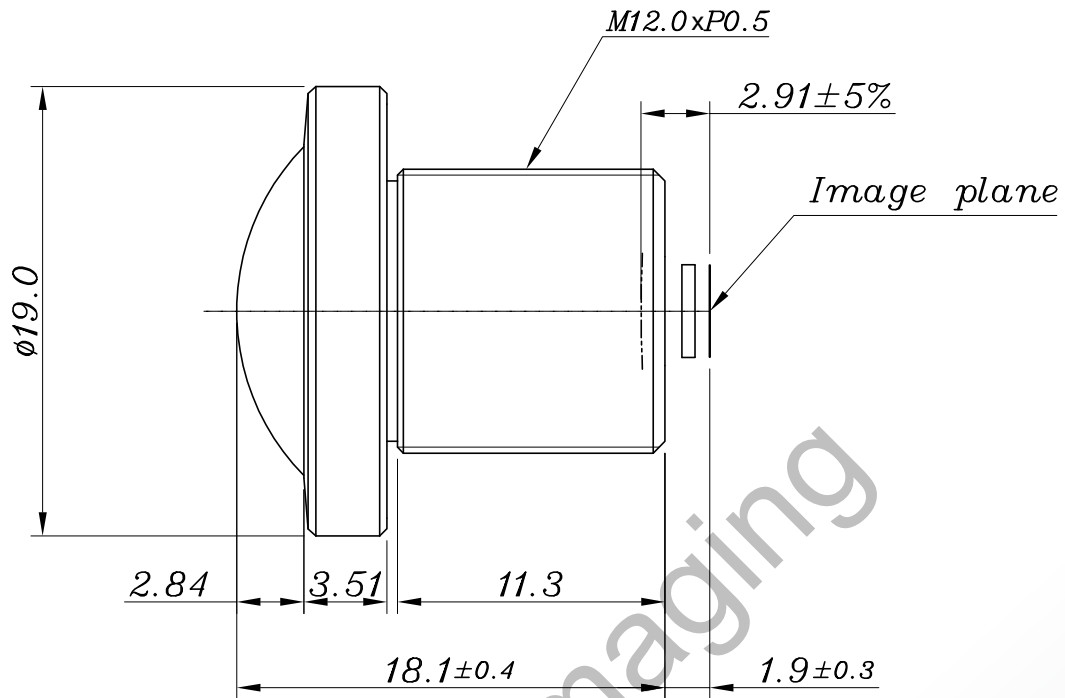


Lensagon BFM1220C



The Fisheye S-Mount lens Lensagon BFM1220C is suitable for common sensors up to 1.3 megapixel with an image format of 1/3 inch. It is characterized by a particularly high light intensity. Chief Ray Angle: 7.87°

Technical Data

Mount	S-Mount
Sensor	1/3 inch
Focal Length	1.2 mm
Aperture	2
MOD	0.1 m
Back Focal	2.91 mm
Megapixel	1.3 MP
IR Cut	Yes
Image Circle	3.84
Weight	6 g
Iris	fixed
Focus	fixed
Typ	Fisheye

SEDECO
IMAGING

Germany, Austria, Switzerland
Sedeco Imaging GmbH
Unterer Dammweg 12
76149 Karlsruhe
Germany
T. +49 721 5604 7980
info@sedeco-imaging.com

BeNeLux
Sedeco Imaging B.V.
Trasmolenlaan 12
3447 GZ Woerden
the Netherlands
T. +31 348 749110
info@sedeco-imaging.nl

www.sedeco-imaging.com



Light Sensitive



1 Megapixel