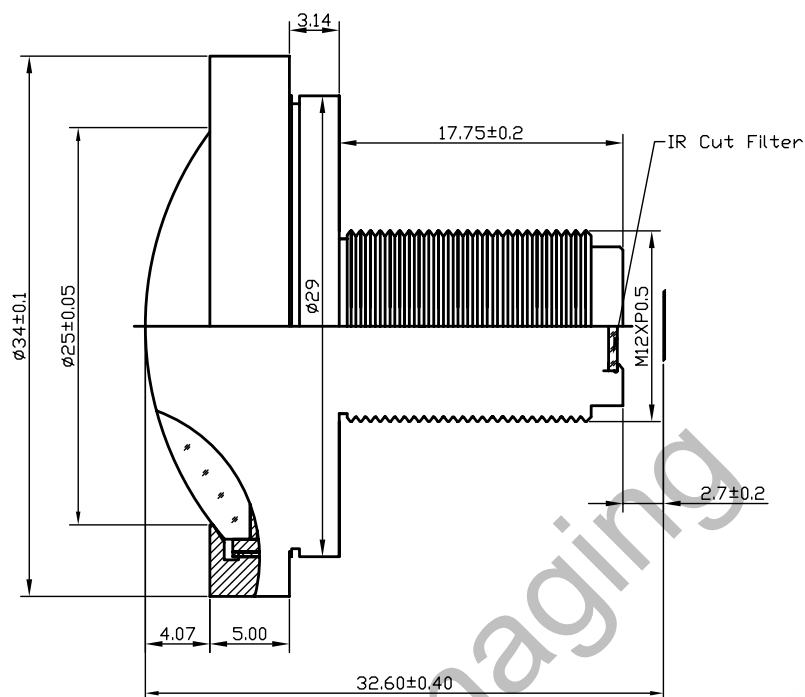


Lensagon BF9M1422C



The S-Mount lens Lensagon BF9M1422C is suitable for sensors below 1 megapixel with an image format of 1/2.3 inch.

Technical Data

Mount	S-Mount
Sensor	1/2.3 inch
Focal Length	1.41 mm
Aperture	2.2
MOD	0.1 m
Back Focal	3.69 mm
Angle of View	D:183° H:183° V:183°
IR Cut	Yes
Distortion	-97 %
Iris	fixed
Focus	fixed
Typ	Fisheye

SEDECO
IMAGING

Germany, Austria, Switzerland
Sedeco Imaging GmbH
Unterer Dammweg 12
76149 Karlsruhe
Germany
T. +49 721 5604 7980
info@sedeco-imaging.com

BeNeLux
Sedeco Imaging B.V.
Trasmolenlaan 12
3447 GZ Woerden
the Netherlands
T. +31 348 749110
info@sedeco-imaging.nl

www.sedeco-imaging.com

