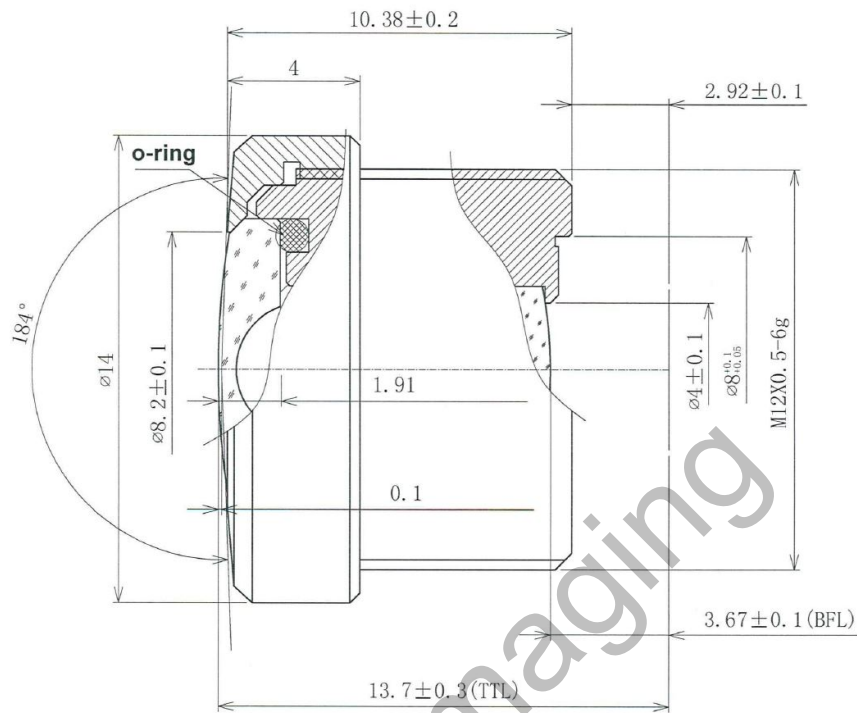


# BF3M2122S13C



The Fisheye S-Mount lens Lensagon BF3M2122S13C is suitable for common sensors up to 3 megapixel with an image format of 1/3 inch.

## Technical Data

Mount	S-Mount
Sensor	1/3 inch
Focal Length	2.1 mm
Aperture	2.2
MOD	0.1 m
Back Focal	3.57 mm
Angle of View	D:184° H:184° V:111°
Megapixel	3 MP
IR Correction	No
IR Cut Filter	Yes
Image Circle	4.8 mm
Iris	fixed
Focus	fixed
Typ	Fisheye

**SEDECO**  
IMAGING

Germany, Austria, Switzerland  
**Sedeco Imaging GmbH**  
 Unterer Dammweg 12  
 76149 Karlsruhe  
 Germany  
 T. +49 721 5604 7980  
 info@sedeco-imaging.com

BeNeLux  
**Sedeco Imaging B.V.**  
 Trasmolenlaan 12  
 3447 GZ Woerden  
 the Netherlands  
 T. +31 348 749110  
 info@sedeco-imaging.nl

[www.sedeco-imaging.com](http://www.sedeco-imaging.com)



**3** Megapixel