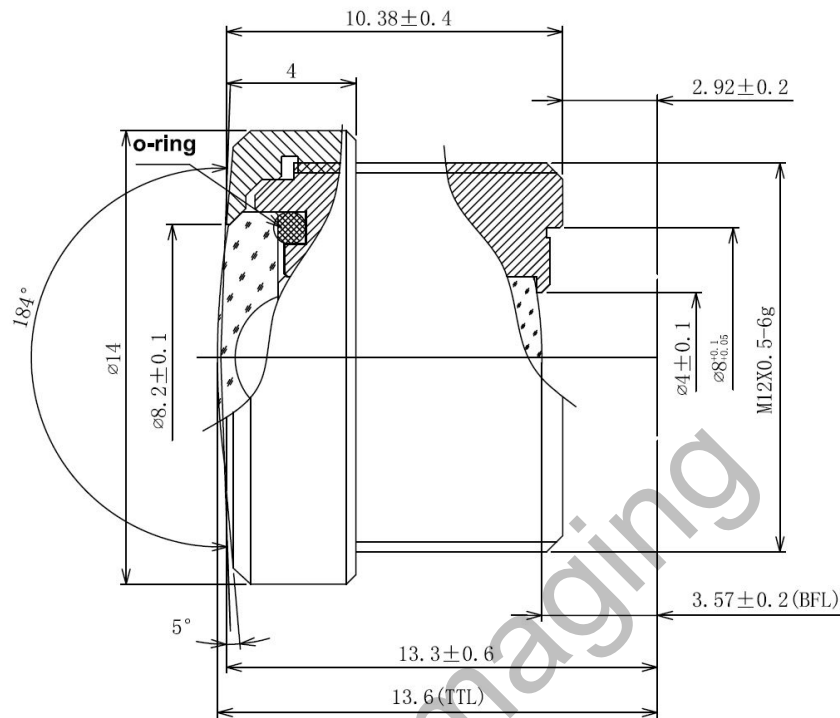


# BF3M2122S13



The Fisheye S-Mount lens Lensagon BF3M2122S13 is suitable for common sensors up to 3 megapixel with an image format of 1/3 inch.

## Technical Data

Mount	S-Mount
Sensor	1/3 inch
Focal Length	2.1 mm
Aperture	2.2
MOD	0.1 m
Back Focal	3.57 mm
Angle of View	D:184° H:184° V:111°
Megapixel	3 MP
IR Correction	Yes
IR Cut Filter	No
Image Circle	4.8 mm
Iris	fixed
Focus	fixed
Typ	Fisheye

**SEDECO**  
IMAGING

Germany, Austria, Switzerland  
Sedeco Imaging GmbH  
Unterer Dammweg 12  
76149 Karlsruhe  
Germany  
T. +49 721 5604 7980  
info@sedeco-imaging.com

BeNeLux  
Sedeco Imaging B.V.  
Trasmolenlaan 12  
3447 CZ Woerden  
the Netherlands  
T. +31 348 749110  
info@sedeco-imaging.nl

[www.sedeco-imaging.com](http://www.sedeco-imaging.com)



**3** Megapixel