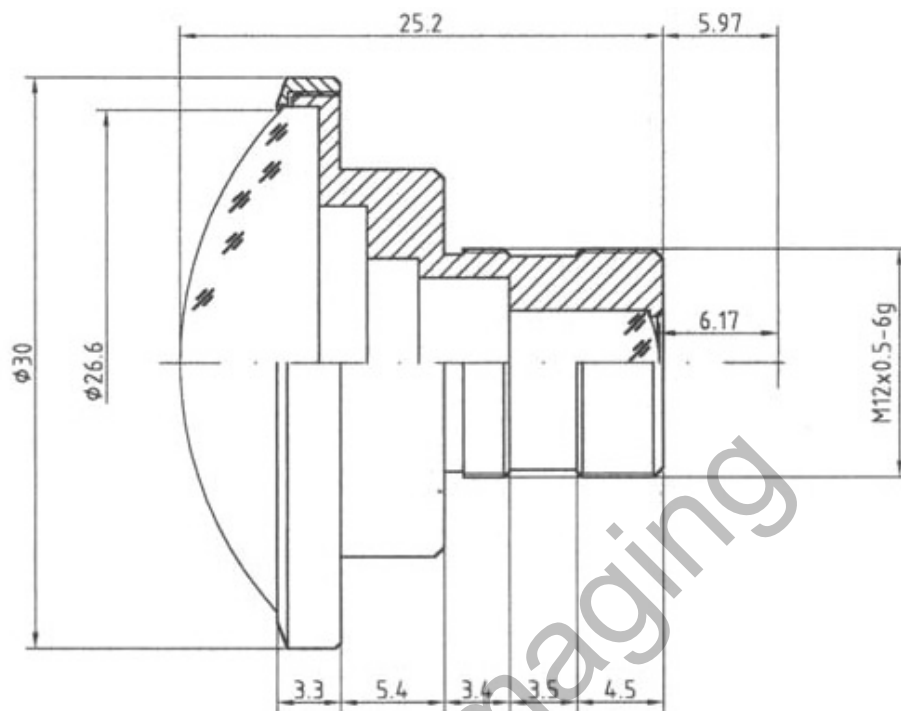


BF2M2020S23



The Fisheye S-Mount lens Lensagon BF2M2020S23 is suitable for common sensors up to 2 megapixel with an image format of 2/3 inch. It is characterized by a particularly high light intensity. max. CRA 11.2

Technical Data

Mount	S-Mount
Sensor	2/3 inch
Focal Length	2 mm
Aperture	2
MOD	0.08 m
Back Focal	6.17 mm
Angle of View	D:195° H:195° V:195°
Megapixel	2 MP
IR Cut	corrected
Image Circle	6.7
Weight	20 g
Iris	fixed
Focus	fixed
Typ	Fisheye



Germany, Austria, Switzerland
Sedeco Imaging GmbH
 Unterer Dammweg 12
 76149 Karlsruhe
 Germany
 T. +49 721 5604 7980
 info@sedeco-imaging.com

BeNeLux
Sedeco Imaging B.V.
 Trasmolenlaan 12
 3447 GZ Woerden
 the Netherlands
 T. +31 348 749110
 info@sedeco-imaging.nl

www.sedeco-imaging.com



Light Sensitive



2 Megapixel