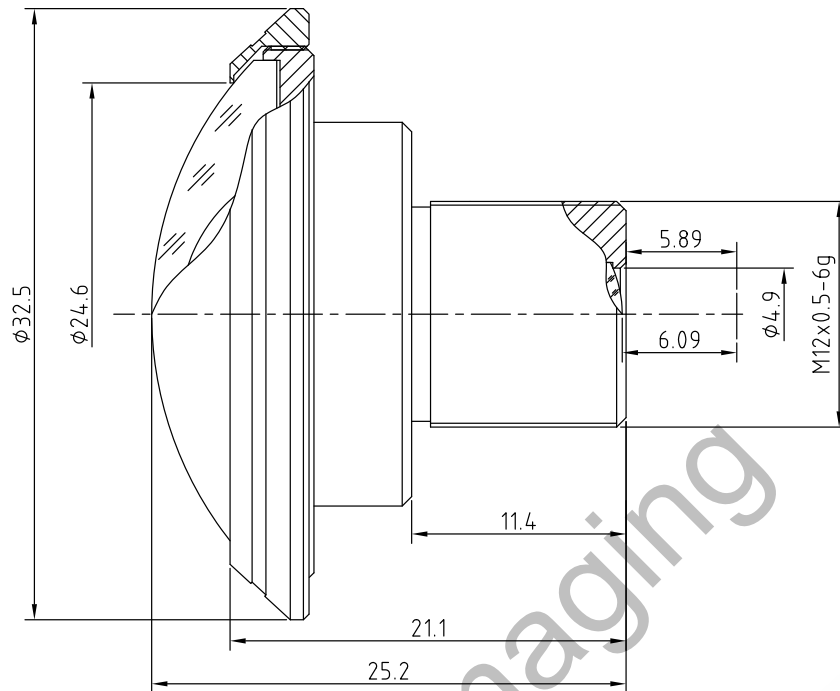


Lensagon BF2M2020



The Fisheye S-Mount lens Lensagon BF2M2020 is suitable for common sensors up to 2 megapixel with an image format of 1/3 inch. It is characterized by a particularly high light intensity.

Technical Data

Mount	S-Mount
Sensor	1/3 inch
Focal Length	2 mm
Aperture	2
MOD	0.08 m
Back Focal	6.09 mm
Angle of View	D:175° H:147° V:102°
Megapixel	2 MP
IR Cut	corrected
Image Circle	6
Weight	20 g
Iris	fixed
Focus	fixed
Typ	Fisheye

SEDECO
IMAGING

Germany, Austria, Switzerland
Sedeco Imaging GmbH
Unterer Dammweg 12
76149 Karlsruhe
Germany
T. +49 721 5604 7980
info@sedeco-imaging.com

BeNeLux
Sedeco Imaging B.V.
Trasmolenlaan 12
3447 GZ Woerden
the Netherlands
T. +31 348 749110
info@sedeco-imaging.nl

www.sedeco-imaging.com



Light Sensitive

2

Megapixel