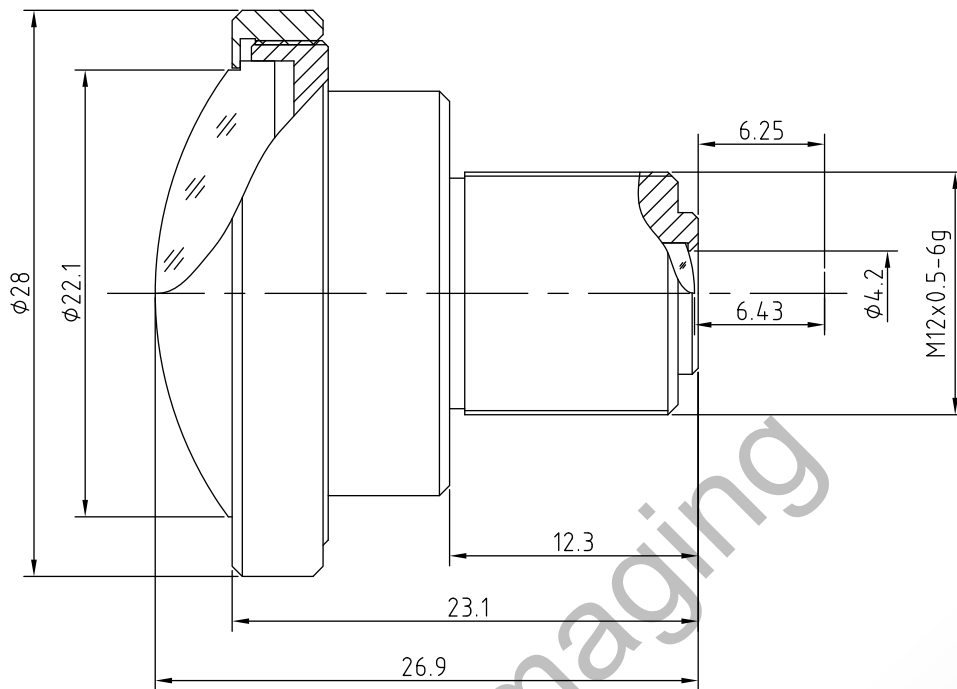


BF2M15520C



The Fisheye S-Mount lens Lensagon BF2M15520C is suitable for common sensors up to 2 megapixel with an image format of 1/2 inch. It is characterized by a particularly high light intensity. mapping function: equisolid

Technical Data	
Mount	S-Mount
Sensor	1/2 inch
Focal Length	1.55 mm
Aperture	2
MOD	0.15 m
Back Focal	6.43 mm
Angle of View	D:185° H:185° V:185°
Megapixel	2 MP
IR Cut	Yes
Image Circle	4.8
Weight	21 g
Iris	fixed
Focus	fixed
Typ	Fisheye

SEDECO
IMAGING

Germany, Austria, Switzerland
Sedeco Imaging GmbH
 Unterer Dammweg 12
 76149 Karlsruhe
 Germany
 T. +49 721 5604 7980
 info@sedeco-imaging.com

BeNeLux
Sedeco Imaging B.V.
 Trasmolenlaan 12
 3447 GZ Woerden
 the Netherlands
 T. +31 348 749110
 info@sedeco-imaging.nl

www.sedeco-imaging.com



Light Sensitive



2 Megapixel