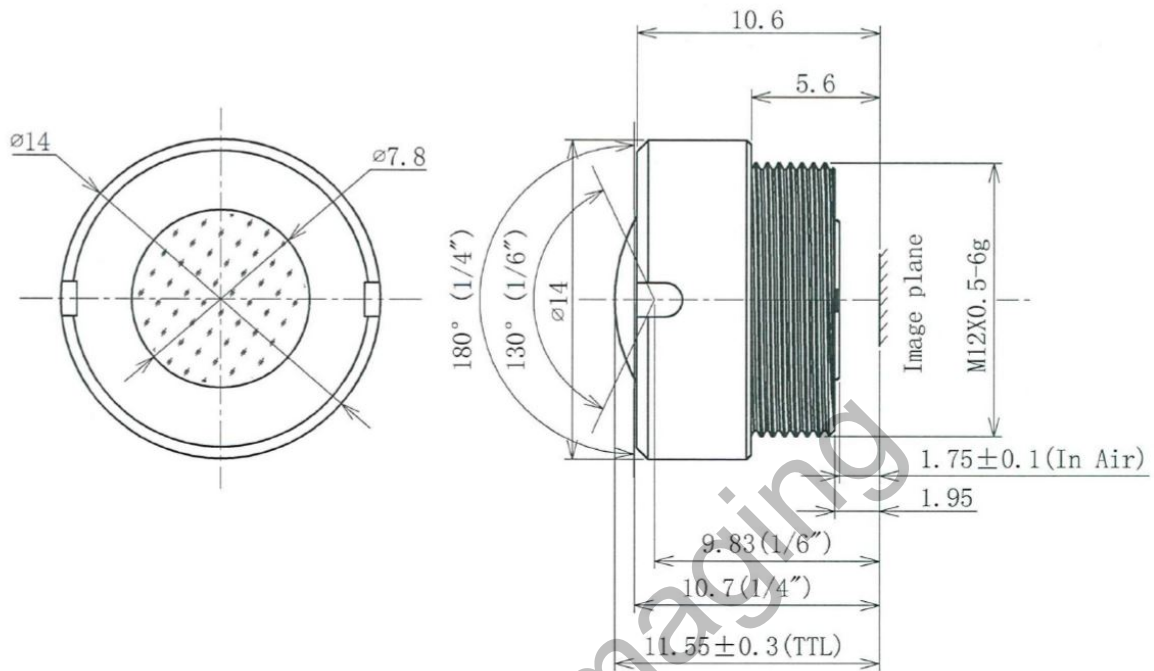


# BF2M1423S127



The S-Mount lens Lensagon BF2M1423S127 is suitable for common sensors up to 2 megapixel with an image format of 1/2.7 inch.

## Technical Data

Mount	S-Mount
Sensor	1/2.7 inch
Focal Length	1.4 mm
Aperture	2.3
MOD	0.05 m
Back Focal	2.89 mm
Angle of View	D:180° H:170° V:99°
Megapixel	2 MP
IR Correction	Yes
IR Cut Filter	No
Image Circle	4.5 mm
Iris	fixed
Focus	fixed

**SEDECO**  
IMAGING

Germany, Austria, Switzerland  
Sedeco Imaging GmbH  
Unterer Dammweg 12  
76149 Karlsruhe  
Germany  
T. +49 721 5604 7980  
info@sedeco-imaging.com

BeNeLux  
Sedeco Imaging B.V.  
Trasmolenlaan 12  
3447 GZ Woerden  
the Netherlands  
T. +31 348 749110  
info@sedeco-imaging.nl

[www.sedeco-imaging.com](http://www.sedeco-imaging.com)



**2** Megapixel