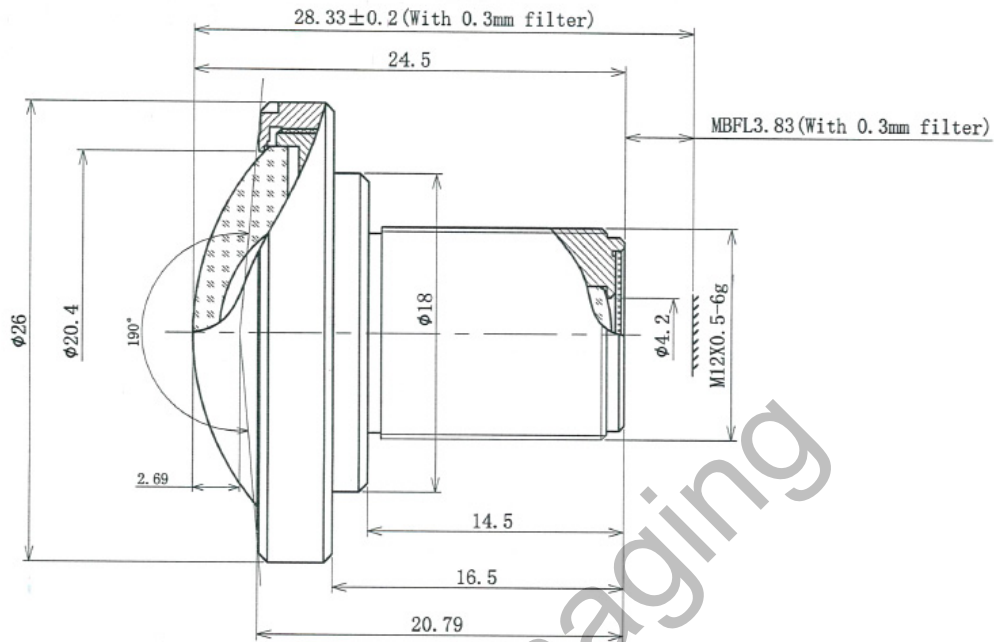


BF10M14522S118C



The S-Mount lens Lensagon BF10M14522S118C is suitable for current sensors up to 10 megapixel with an image format of 1/1.8 inch.

Technical Data

Mount	S-Mount
Sensor	1/1.8 - 1/2 inch Sensor
Focal Length	1.45 mm
Aperture	2.2
MOD	0.1 m
Back Focal	4.62 mm
Angle of View	D:190° H:190° V:190°
Megapixel	10 MP
IR Cut Filter	Yes
Distortion	-4.75 %
Image Circle	4.6 mm
Iris	fixed
Focus	fixed
Typ	Fisheye

SEDECO
IMAGING

Germany, Austria, Switzerland
Sedeco Imaging GmbH
Unterer Dammweg 12
76149 Karlsruhe
Germany
T. +49 721 5604 7980
info@sedeco-imaging.com

BeNeLux
Sedeco Imaging B.V.
Trasmolenlaan 12
3447 GZ Woerden
the Netherlands
T. +31 348 749110
info@sedeco-imaging.nl

www.sedeco-imaging.com



10 Megapixel