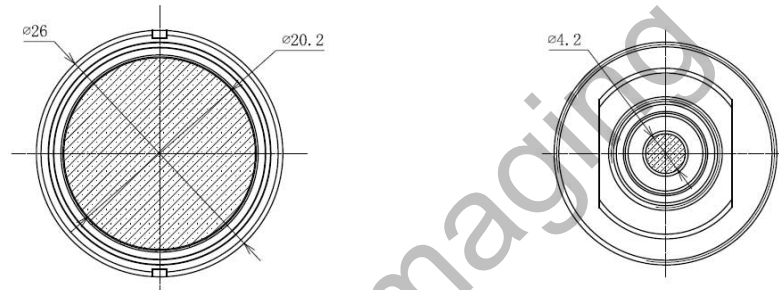
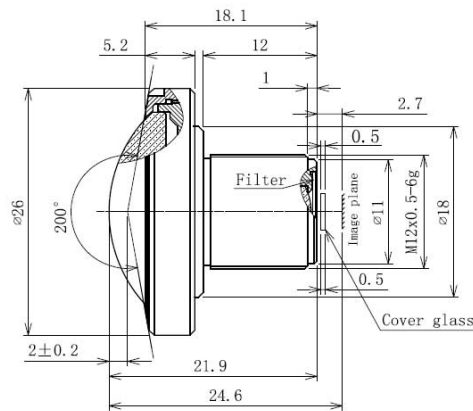


BF10M10526S132C



The S-Mount lens Lensagon BF10M10526S132C is suitable for current sensors up to 10 megapixel with an image format of 1/3.2 inch.

Technical Data

Mount	S-Mount
Sensor	1/3.2 inch
Focal Length	1.05 mm
Aperture	2.4
MOD	0.1 m
Back Focal	3.2 mm
Angle of View	D:202° H:202° V:202°
Megapixel	10 MP
IR Cut Filter	Yes
Image Circle	3.46 mm
Iris	fixed
Focus	fixed
Chief ray angle	5.2 °
Typ	Fisheye

SEDECO
IMAGING

Germany, Austria, Switzerland
Sedeco Imaging GmbH
 Unterer Dammweg 12
 76149 Karlsruhe
 Germany
 T. +49 721 5604 7980
 info@sedeco-imaging.com

BeNeLux
Sedeco Imaging B.V.
 Trasmolenlaan 12
 3447 GZ Woerden
 the Netherlands
 T. +31 348 749110
 info@sedeco-imaging.nl

www.sedeco-imaging.com



10 Megapixel