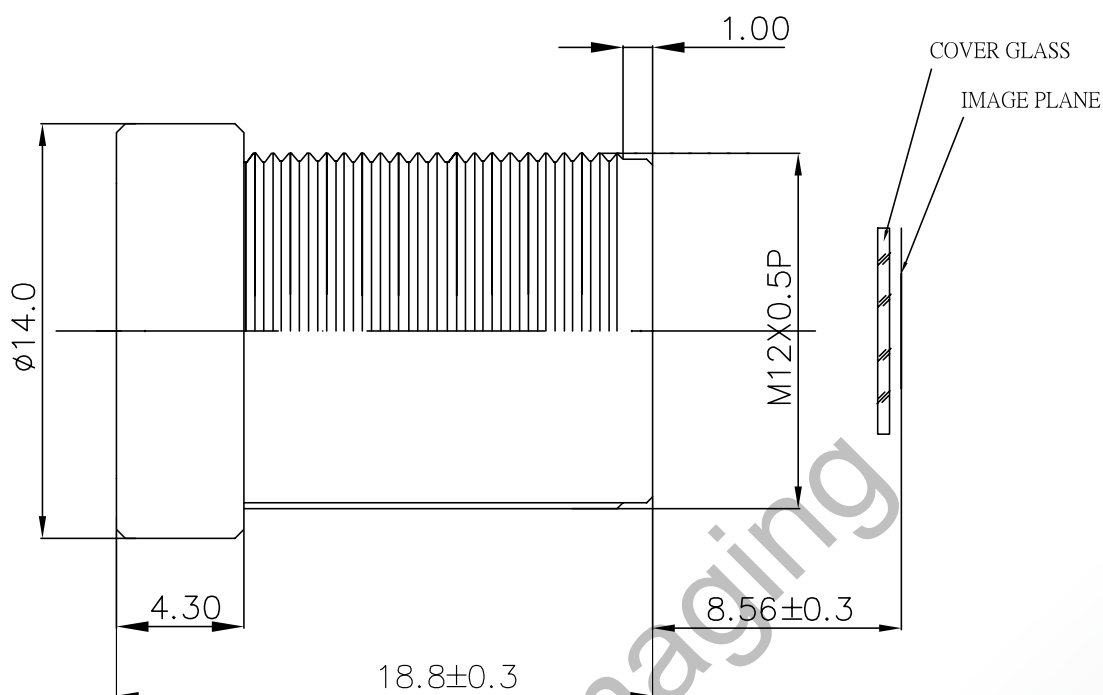


# Lensagon B5M6018C



The S-Mount lens Lensagon B5M6018C is suitable for common sensors up to 5 megapixel with an image format of 1/2.5 inch. It is characterized by a particularly high light intensity.

## Technical Data

Mount	S-Mount
Sensor	1/2.5 inch
Focal Length	6 mm
Aperture	1.8
MOD	0.15 m
Back Focal	9.58 mm
Angle of View	D:75° H:57.5° V:41.4°
Megapixel	5 MP
IR Cut	Yes
Iris	fixed
Focus	fixed
Typ	Standard

**SEDECO**  
IMAGING

Germany, Austria, Switzerland  
**Sedeco Imaging GmbH**  
 Unterer Dammweg 12  
 76149 Karlsruhe  
 Germany  
 T. +49 721 5604 7980  
 info@sedeco-imaging.com

BeNeLux  
**Sedeco Imaging B.V.**  
 Trasmolenlaan 12  
 3447 GZ Woerden  
 the Netherlands  
 T. +31 348 749110  
 info@sedeco-imaging.nl

[www.sedeco-imaging.com](http://www.sedeco-imaging.com)



Light Sensitive



5 Megapixel