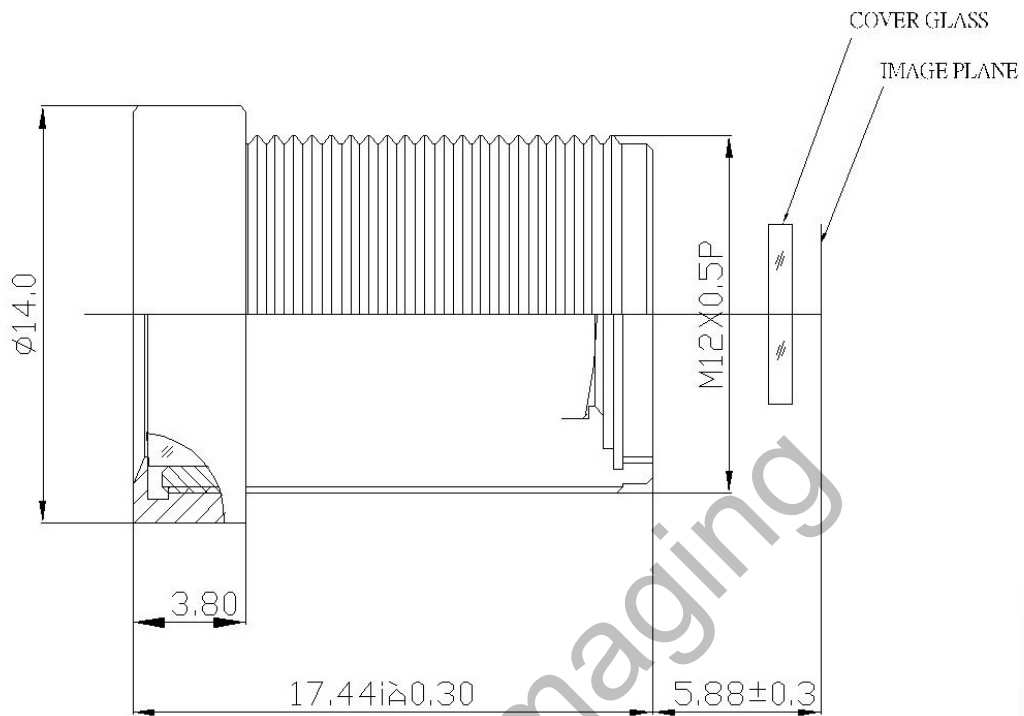


Lensagon B5M4018



The S-Mount lens Lensagon B5M4018 is suitable for common sensors up to 5 megapixel with an image format of 1/2.5 inch. It is characterized by a particularly high light intensity.

Technical Data

Mount	S-Mount
Sensor	1/2.5 inch
Focal Length	4 mm
Aperture	1.8
Back Focal	7.72 mm
Angle of View	D:112° H:86° V:63°
Megapixel	5 MP
IR Cut	No
Weight	10.5 g
Iris	fixed
Focus	fixed

SEDECO
IMAGING

Germany, Austria, Switzerland
Sedeco Imaging GmbH
Unterer Dammweg 12
76149 Karlsruhe
Germany
T. +49 721 5604 7980
info@sedeco-imaging.com

BeNeLux
Sedeco Imaging B.V.
Trasmolenlaan 12
3447 GZ Woerden
the Netherlands
T. +31 348 749110
info@sedeco-imaging.nl

www.sedeco-imaging.com



Light Sensitive



5 Megapixel